

Inductive 4 Wire DC Sensing range: 40mm

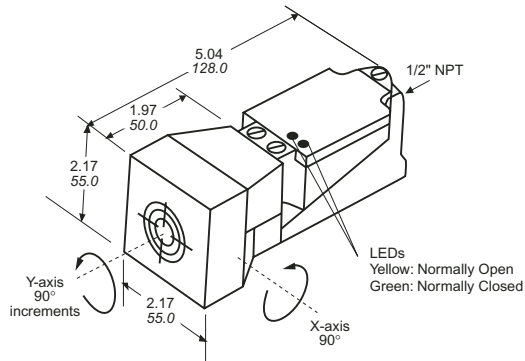
Proximity
Sensors

Operating distance		40mm
Catalog number		SIN40Q55UTPK
List price		\$ 120.00
Sensor mounting		Non-shielded
Output		PNP Normally Open & Normally Closed
Suffix PK		
Suffix NK		
Operating voltage	VDC	10 – 60
Load current	mA	200
Switching frequency	Hz	150
No load supply current	mA	20
Voltage drop	VDC	2
Short circuit protection		yes
Reverse polarity protection		yes
Output indication		LED yellow/LED green
Operating temperature	°F	-13 ... +158
Protection		IP67
IEC		
Approvals		
CE		yes
UL Listed		yes
CSA		yes
Wire size		Up to 14 AWG/2.5mm ²
Housing material		Crastin/metal base
Housing diameter	mm	—
Sensing face		Crastin
Connection		Terminal



10

Approximate dimensions



Wiring diagrams

