

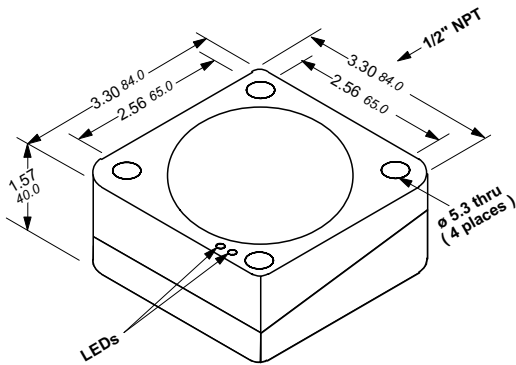
## Inductive 4 Wire DC Sensing range: 40mm – 50mm

Operating distance		40mm	50mm
Catalog number		SIF40Q80UTPK ①	SIN50Q80UTPK ②
List price		<b>\$ 225.00</b>	<b>\$ 210.00</b>
Sensor mounting		Shielded	Non-shielded
Output			
Suffix PK		PNP N.O. + N.C.	PNP N.O. + N.C.
Suffix NK			
Operating voltage	VDC	10 – 60	10 – 60
Load current	mA	200	100
Switching frequency	Hz	100	100
No load supply current	mA	20	20
Voltage drop	VDC	2	2
Short circuit protection		yes	yes
Reverse polarity protection		yes	yes
Output indication		LED yellow/LED green	LED yellow/LED green
Operating temperature	°F	-13 ... +158	-13 ... +158
Protection IEC		IP67	IP67
Approvals			
CE		yes	yes
UL Listed		yes	yes
CSA		yes	yes
Wire size		Up to 14 AWG/2.5mm <sup>2</sup>	Up to 14 AWG/2.5mm <sup>2</sup>
Housing material		Crastin/metal base	Crastin/metal base
Housing diameter	mm	—	—
Sensing face		Crastin	Crastin
Connection		Terminal	Terminal

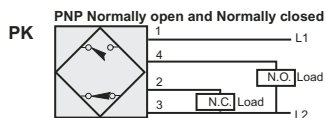


10

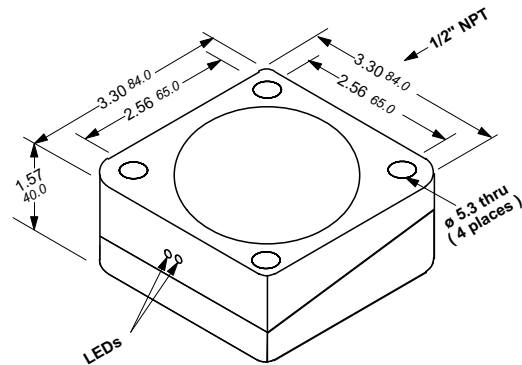
### Approximate dimensions



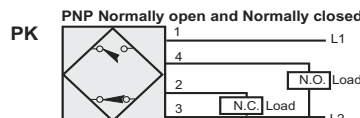
### Wiring diagrams



### Approximate dimensions



### Wiring diagrams



① To order Pg 13.5 threaded connection, order part number:  
SIF40-Q80N-T-PK

② To order Pg 13.5 threaded connection, order part number:  
SIN50-Q80N-T-PK