

Inductive 4 Wire AC Sensing range: 20mm

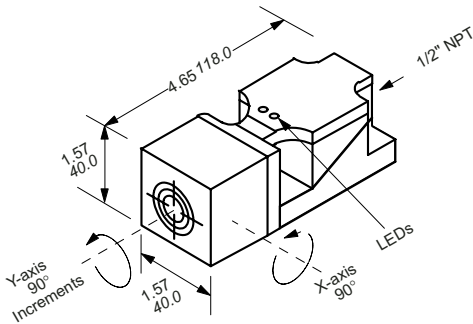
Proximity
Sensors

Operating distance		20mm
Catalog number		SIN20Q40UTAK4
List price		\$ 260.00
Sensor mounting		Non-shielded
Output Suffix AK4		AC Normally Open + Normally Closed
Operating voltage	VAC	20 – 250
Load current	mA	500
Switching frequency	Hz	25
No load supply current	mA	
Voltage drop	VDC	≤3
Short circuit protection		no
Reverse polarity protection		N/A
Output indication		Yellow N.O./Green N.C.
Operating temperature	°F	-13 ... +158
Protection IEC		IP68
Approvals CE UL Listed CSA		yes yes yes
Wire size		Up to 14 AWG/2.5mm ²
Housing material		Crastin/metal base
Housing diameter	mm	—
Sensing face		Crastin
Connection		Terminal



10

Approximate dimensions



Wiring diagrams

