

# Inductive 4 Wire AC Sensing range: 40mm

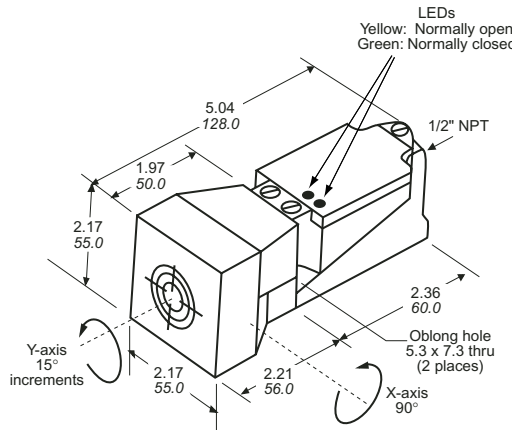


SIN40Q55UTAK4

<b>Operating distance</b>		<b>40mm</b>
Catalog number		SIN40Q55UTAK4
List price		<b>\$ 310.00</b>
Sensor mounting		Non-shielded
Output Suffix AK4		AC Normally Open + Normally Closed
Operating voltage	VAC	20 – 250
Load current	mA	500
Switching frequency	Hz	25
No load supply current	mA	
Voltage drop	VAC	≤3
Short circuit protection		no
Reverse polarity protection		N/A
Output indication		Yellow N.O./ Green N.C.
Operating temperature	°F	-13 ... +158
Protection IEC		IP68
Approvals CE		yes
UL Listed		yes
CSA		yes
Wire size		Up to 14 AWG/2.5mm <sup>2</sup>
Housing material		Crastin/metal base
Housing diameter	mm	—
Sensing face		Crastin
Connection		Terminal

10

## Approximate dimensions



## Wiring diagrams

