

Inductive

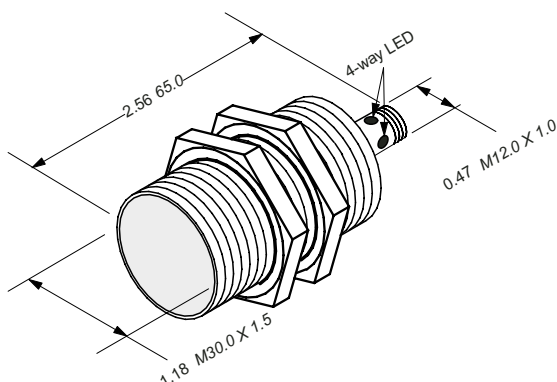
Weld field immune, 3 Wire DC
Sensing range: 10mm

Operating distance		10mm
Catalog number		SIF10M30WC1PO
List price		\$ 100.00
Sensor mounting		Shielded
Output		PNP Normally Open
Suffix PO		
Suffix NO		
Operating voltage	VDC	10 – 30
Load current	mA	200
Switching frequency	Hz	100
No load supply current	mA	15
Voltage drop	VDC	3
Short circuit protection		yes
Reverse polarity protection		yes
Output indication		Ring LED yellow
Weld field limit		
AC field	mT	100
DC field	mT	100
Operating temperature	°F	-13 ... +158
Protection		
IEC		IP67
Approvals		
CE		yes
UL Listed		yes
CSA		yes
Housing material		Teflon-coated brass
Housing diameter	mm	30
Sensing face		Teflon-coated Ryton
Connection		Connector M12



10

Approximate dimensions



Wiring diagrams

