

# Inductive

## Weld field immune, 3 Wire DC

### Sensing range: 15mm

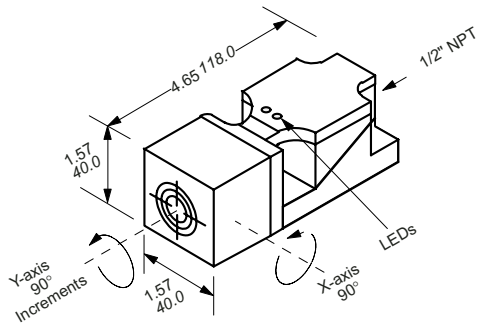
Proximity  
Sensors

<b>Operating distance</b>		<b>15mm</b>
Catalog number		SIF15Q40WTPO
List price		<b>\$ 190.00</b>
Sensor mounting		Shielded
Output		PNP Normally Open
Suffix PO		
Suffix NO		
Operating voltage	VDC	10 – 30
Load current	mA	200
Switching frequency	Hz	10
No load supply current	mA	20
Voltage drop	VDC	3
Short circuit protection		yes
Reverse polarity protection		yes
Output indication		Ring LED yellow/green
Weld field limit		
AC field	mT	100
DC field	mT	100
Operating temperature	°F	-13 ... +158
Protection		
IEC		IP67
Approvals		
CE		yes
UL Listed		yes
CSA		yes
Housing material		Crastin/metal base
Housing diameter	mm	—
Sensing face		Crastin
Connection		Terminal



10

### Approximate dimensions



### Wiring diagrams

