

Inductive

Weld field immune, 2 Wire AC

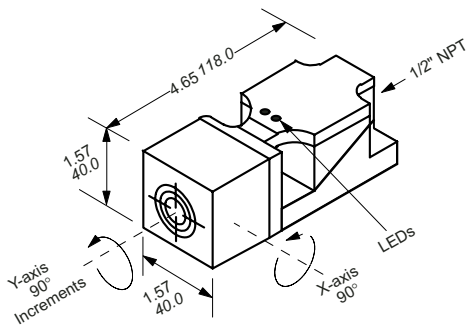
Sensing range: 15mm

Operating distance		15mm
Catalog number		SIF15Q40WTAO
List price		\$ 280.00
Sensor mounting		Shielded
Output		Normally Open or Normally Closed
Operating voltage	VAC	20 – 250
Load current	mA	400
Switching frequency	Hz	20
No load supply current	mA	—
Voltage drop	VAC	7
Short circuit protection		no
Reverse polarity protection		—
Output indication		LED yellow/green
Weld field limit		
AC field	mT	100
DC field	mT	30
Operating temperature	°F	-13 ... +158
Protection		
IEC		IP67
Approvals		
CE		yes
UL Listed		yes
CSA		yes
Housing material		Crastin/metal base
Housing diameter	mm	—
Sensing face		Crastin
Connection		Terminal



10

Approximate dimensions



Wiring diagrams

