

Capacitive 3 Wire DC Sensing range: 10mm

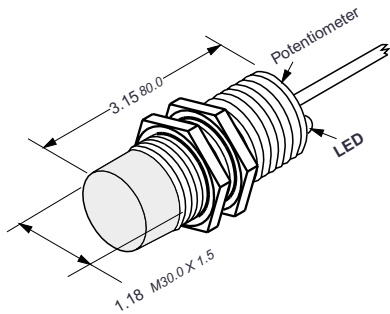
Proximity
Sensors

Operating distance		10mm	10mm
Catalog number		SCF10M30NV2PO	SCF10M30NC1PO
List price		\$ 220.00	\$ 225.00
Sensor mounting		Shielded	Shielded
Output			
Suffix PO		PNP Normally Open	PNP Normally Open
Suffix NO		—	—
Suffix AO		—	—
Operating voltage	VDC	10 – 60	10 – 60
Load current	mA	200	200
Switching frequency	Hz	10	10
No load supply current	mA	20	20
Voltage drop	VDC	2	2
Short circuit protection		yes	yes
Reverse polarity protection		yes	yes
Output indication		LED yellow	LED yellow
Operating temperature	°F	-13 ... +158	-13 ... +158
Protection			
IEC		IP65	IP65
Approvals			
CE		yes	yes
UL Listed		yes	yes
CSA		yes	yes
Wire size		18 AWG/0.75mm ²	—
Housing material		Stainless steel	Stainless steel
Housing diameter	mm	30	30
Sensing face		Crastin	Crastin
Connection		2 m, PVC cable	Connector M12

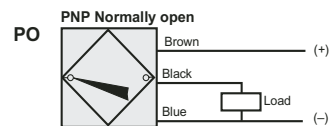


10

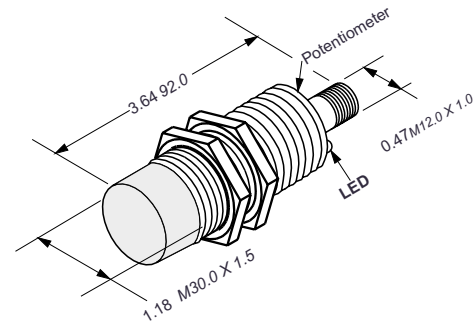
Approximate dimensions



Wiring diagrams



Approximate dimensions



Wiring diagrams

