

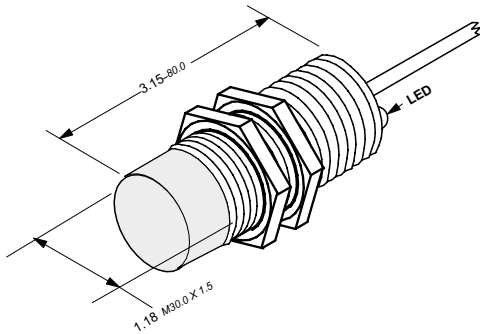
Capacitive 3 Wire AC Sensing range: 10mm

| | | |
|-----------------------------|-----|----------------------------|
| Operating distance | | 10mm |
| Catalog number | | SCF10M30NV2AO |
| List price | | \$ 265.00 |
| Sensor mounting | | Shielded |
| Output | | |
| Suffix PO | | — |
| Suffix NO | | — |
| Suffix AO | | Normally Open |
| Operating voltage | VAC | 20 – 250 |
| Load current | mA | 200 |
| Switching frequency | Hz | 15 |
| No load supply current | mA | 1.7 mA |
| Voltage drop | VAC | 7 |
| Short circuit protection | | no |
| Reverse polarity protection | | no |
| Output indication | | LED yellow |
| Operating temperature | °F | -13 ... +158 |
| Protection | | |
| IEC | | IP65 |
| Approvals | | |
| CE | | yes |
| UL Listed | | yes |
| CSA | | yes |
| Wire size | | 18 AWG/0.75mm ² |
| Housing material | | Stainless steel |
| Housing diameter | mm | 30 |
| Sensing face | | Crastin |
| Connection | | 2 m, PVC cable |



10

Approximate dimensions



Wiring diagrams

