

## Diffused

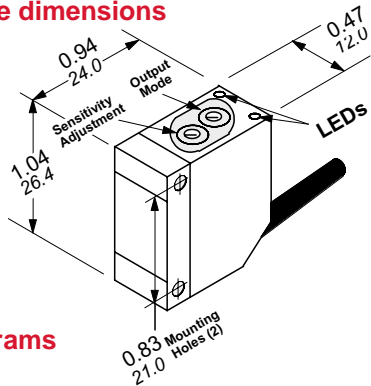
Sensing range: 400mm

<b>Sensing range</b>	<b>400mm</b>	
Catalog number	SOD400B26NU2PO	
List price	<b>\$ 129.00</b>	
Output	PNP, Sourcing, Normally Open	
Reference	100mm x 100mm white target	
Detectable object	Opaque and transparent	
Switching frequency	Hz	500
Response time	ms	1
Readiness delay	ms	30
Operating mode	Light/dark ON, selectable	
LEDs		
Yellow	Output status	
Red	Signal strength	
Type of light	nm	IR light 950
Ambient light limit		
Daylight	Lux	20,000
Halogen	Lux	5000
<b>Electrical specifications</b>		
Supply voltage	VDC	10 – 30
Current consumption	mA	30
Load current	mA	300
Voltage drop	VDC	2.5
Short circuit and overload protection	yes	
Reverse polarity protection	yes	
<b>Mechanical specifications</b>		
Protection IEC	IP67	
Housing	Polycarbonate	
Optical	PMMA lens	
Operating temperature	°F	-13 ... +158
Storage temperature	°F	-40 ... +176
Approvals		
CE	yes	
UL listed	yes	
CSA	yes	
Weight	g	20
Connection	2m cable, #22 AWG, PUR black	

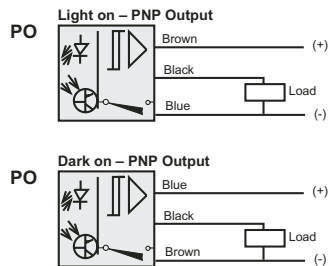


10

### Approximate dimensions



### Wiring diagrams



Mounting bracket is included with sensor.