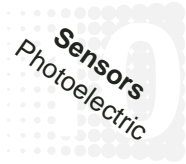


# Diffused

## Sensing range: 500mm

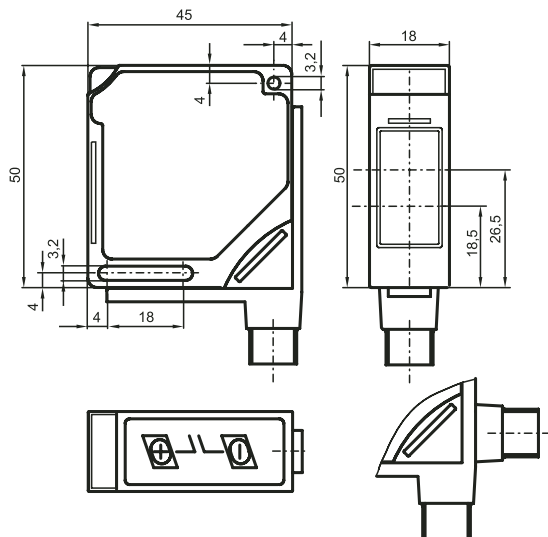


Sensing range		500mm	500mm
Catalog number		SOD500B45NC1PKS	SOD500B45NC1NKS
List price		\$ 155	\$ 155
Output		PNP, Sourcing Programmable: • Switch output (NO/NC) • Antivalent • Pre-fault indicator	NPN, Sinking Programmable: • Switch output (NO/NC) • Antivalent • Pre-fault indicator
Reference		Std. White card 100mm x 100mm	Std. White card 100mm x 100mm
Detectable object		Clear or opaque	Clear or opaque
Switching frequency	KHz	1	1
Response time	ms	<3	<3
Readiness delay	ms	<80	<80
<b>Operating mode</b>			
LED's			
Yellow		Switch status	Switch status
Red		Pre-fault indicator flashing at 2 Hz	Pre-fault indicator flashing at 2 Hz
		Key stroke response 65ms	Key stroke response 65ms
		Error display in "Teach-in" mode 1.5s	Error display in "Teach-in" mode 1.5s
Green		Power on	Power on
		Indicator in teach mode flashing	Indicator in teach mode flashing
Type of light		Visible red, 660 nm	Visible red, 660 nm
Ambient light limit			
Daylight	lux	<10,000	<10,000
Halogen light	lux	<7,500	7,500
<b>Electrical specifications</b>			
Supply voltage	VDC	10-30	10-30
Current consumption	mA	<25	<25
Load current	mA	200	200
Voltage drop	VDC	2.5	2.5
Short circuit and overload protection		Yes	Yes
Reverse polarity protection		Yes	Yes
<b>Mechanical specifications</b>			
Protection IEC		IP 67	IP 67
Housing		PBT	PBT
Optical		Scratch resistant plastic	Scratch resistant plastic
Operating temperature	°F	-13... +158	-13... +158
Storage temperature	°F	-40... +167	-40... +167
<b>Approvals</b>			
CE		Yes	Yes
UL Listed		Yes	Yes
CSA		Yes	Yes
Weight	g	60	60
Connection		Connector M12	Connector M12
Programming		via hand held unit or PC	via hand held unit or PC



10

### Approximate dimensions



### Wiring diagrams

