

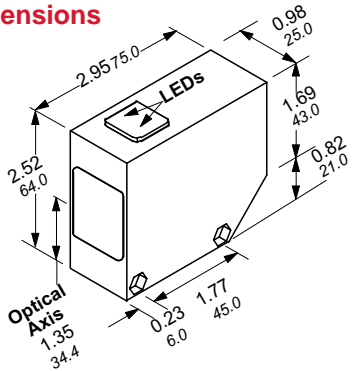
Diffused
Sensing range: 800mm

Sensing range	800mm	
Catalog number	SOD800B75NTPOS	
List price	\$ 107.00	
Output	PNP, Sourcing, Normally Open	
Reference	200mm x 200mm white target	
Detectable object	Opaque and transparent	
Switching frequency	Hz	300
Response time	ms	1.5
Readiness delay	ms	50
Operating mode	Light/dark ON, selectable	
LEDs		
Yellow	Output status	
Red	Weak signal	
Type of light	nm	IR light 940
Ambient light limit		
Daylight	Lux	10,000
Halogen	Lux	7500
Electrical specifications		
Supply voltage	VDC	10 – 30
Current consumption	mA	40
Load current	mA	200
Voltage drop	VDC	3
Short circuit and overload protection	yes	
Reverse polarity protection	yes	
Mechanical specifications		
Protection IEC	IP66	
Housing	Crastin	
Optical	PMMA lens	
Operating temperature	°F	-13 ... +131
Storage temperature	°F	-40 ... +131
Approvals		
CE	yes	
UL listed	yes	
CSA	yes	
Weight	g	100
Connection	Terminal	

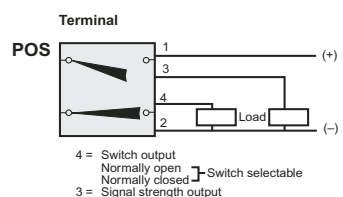


10

Approximate dimensions



Wiring diagrams



Mounting bracket is included with sensor.