

Diffused Sensing range: 2m

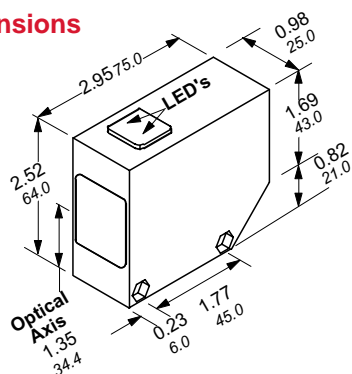
Sensors
Photoelectric

| Sensing range | | 2m |
|----------------------------------|-----|------------------------------|
| Catalog number | | SOD2000B75NTKK |
| List price | | \$ 125.00 |
| Output | | Relay, Normally Open |
| Reference | | 200mm x 200mm white target |
| Detectable object | | Light reflecting objects |
| Switching frequency | Hz | 25 |
| Response time | ms | 20 |
| Readiness delay | ms | 50 |
| Operating mode | | Light ON/dark ON, selectable |
| LEDs | | |
| Yellow | | Output status |
| Red | | Weak signal |
| Type of light | nm | IR light 940 |
| Ambient light limit | | |
| Daylight | Lux | 10,000 |
| Halogen | Lux | 7500 |
| Electrical specifications | | |
| Supply voltage | | 12 – 240VDC or 24 – 240VAC |
| Power consumption | mA | 3 |
| Load current | mA | 3 |
| Voltage drop | VDC | |
| Short circuit | | |
| and overload protection | | Yes |
| Reverse polarity protection | | Yes |
| Mechanical specifications | | |
| Protection IEC | | IP66 |
| Housing | | Crastin |
| Optical | | PMMA lens |
| Operating temperature | °F | -13 ... +131 |
| Storage temperature | °F | -40 ... +158 |
| Approvals | | |
| CE | | yes |
| UL listed | | no |
| CSA | | no |
| Connection | | Terminal |



10

Approximate dimensions



Wiring diagrams

