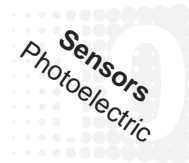


Retro-reflective

Sensing range: 5m

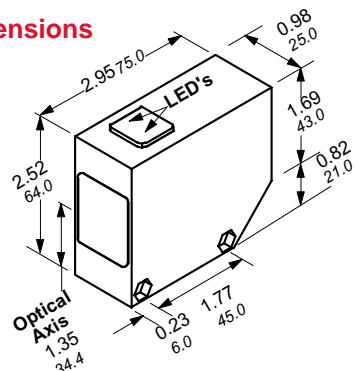


Sensing range	5m	5m
Catalog number	SOR5000B75NTPOS ①	SOR5000B75NTKK
List price	\$ 107.00	\$ 125.00
Output	PNP, Sourcing, Normally Open	Relay, Normally Open
Polarized	Yes	Yes
Reference	50mm x 50mm Reflector	50mm x 50mm Reflector
Detectable object	Opaque and mirror objects	Opaque and mirror objects
Switching frequency	Hz	25
Response time	ms	20
Readiness delay	ms	50
Operating mode	Light On/dark On, selectable	Light On/dark On, selectable
LEDs		
Yellow	Output status	Output status
Red	Weak signal	Weak signal
Type of light	nm	nm
Ambient light limit		
Daylight	Lux	10,000
Halogen light	Lux	7500
Electrical specifications		
Supply voltage	VDC	12 – 30
Current consumption	mA	35
Load current	mA	200
Voltage drop	VDC	3
Short circuit and overload protection	yes	yes
Reverse polarity protection	yes	yes
Mechanical specifications		
Protection IEC	IP66	IP66
Housing	Crastin	Crastin
Optical	PMMA lens	PMMA lens
Operating temperature	°F	-13 ... +131
Storage temperature	°F	-40 ... +131
Approvals		
CE	yes	yes
UL listed	yes	no
CSA	yes	no
Weight	g	100
Connection	Terminal	Terminal

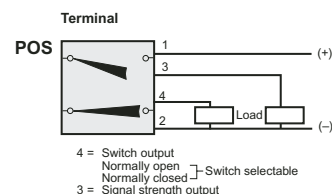


10

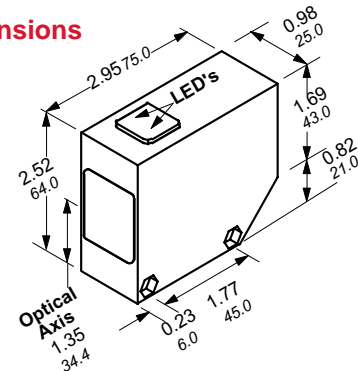
Approximate dimensions



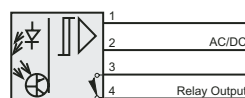
Wiring diagrams



Approximate dimensions



Wiring diagrams



① Mounting bracket and reflector are included with sensor.