

Retro-reflective

Sensing range: 4000mm

Sensors
Photoelectric

Sensing range	4000mm	4000mm
Catalog number	SOR6000B45NC1PKS ①	SOR6000B45NC1NKS ①
List price	\$ 155	\$ 155
Output	PNP, Sinking Programmable: • Switch output (NO/NC) • Antivalent • Pre-fault indicator Reflector 50mm x 50mm RFL-1	NPN, Sinking Programmable: • Switch output (NO/NC) • Antivalent • Pre-fault indicator Reflector 50mm x 50mm RFL-1
Reference		
Polarized	Yes	Yes
Switching frequency kHz	1	1
Response time ms	<3	<3
Readiness delay ms	<80	<80
Hysteresis	Programmable	Programmable
Operating mode		
LED's		
Yellow	Switch status	Switch status
Red	Pre-fault indicator flashing at 2 Hz Key stroke response 65ms Error display in "Teach-in" mode 1.5s	Pre-fault indicator flashing at 2 Hz Key stroke response 65ms Error display in "Teach-in" mode 1.5s
Green	Power on Indicator in teach mode flashing at 2 Hz or 4 Hz Visible red, 660 nm	Power on Indicator in teach mode flashing at 2 Hz or 4 Hz Visible red, 660 nm
Type of light		
Ambient light limit		
Daylight lux	<10,000	<10,000
Halogen light lux	<7,500	7,500
Electrical specifications		
Supply voltage VDC	10-30	10-30
Current consumption mA	<25	<25
Load current mA	200	200
Voltage drop VDC	2.5	2.5
Short circuit and overload protection	Yes	Yes
Reverse polarity protection	Yes	Yes
Mechanical specifications		
Protection IEC	IP 67	IP 67
Housing	PBT	PBT
Optical	Scratch resistant plastic	Scratch resistant plastic
Operating temperature °F	-13... +158	-13... +158
Storage temperature °F	-40... +167	-40... +167
Approvals		
CE	Yes	Yes
UL Listed	Yes	Yes
CSA	Yes	Yes
Weight g	60	60
Connection	Connector M12	Connector M12
Programming	via hand held unit or PC	via hand held unit or PC

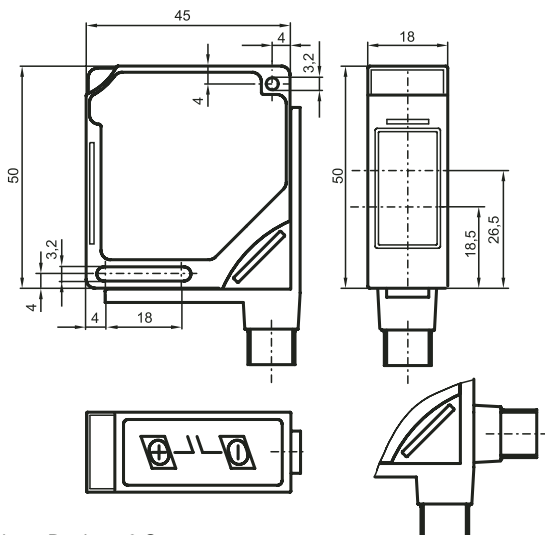


SOR6000B45NC1PKS

① Mounting bracket and reflector, RFL-1 included

10

Approximate dimensions



Wiring diagrams

