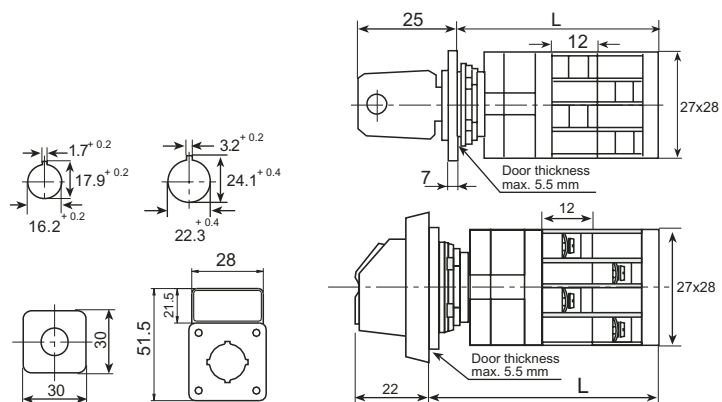


## Approximate dimensions

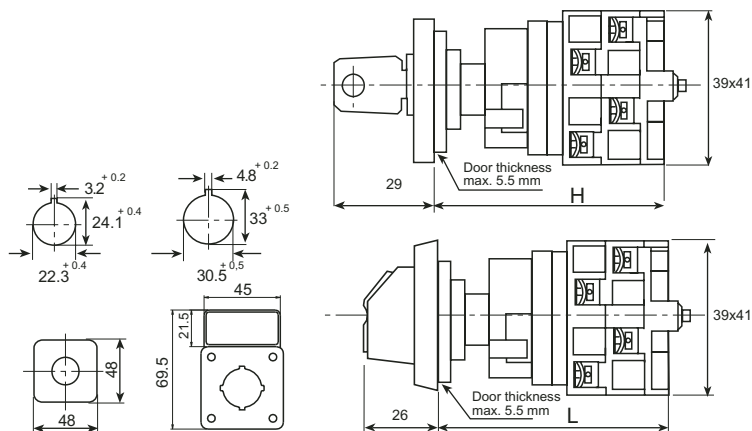
### Type OM, miniature



L for number of contact chambers							
1	2	3	4	5	6	7	8
45	57	69	81	90	105	117	129

### ON, normal

11



L for number of contact chambers										
	1	2	3	4	5	6	7	8	9	10
L	54	66	78	90	102	114	126	138	150	162
H	62	74	86	98	110	122	134	146	159	171

### ON, Modular

