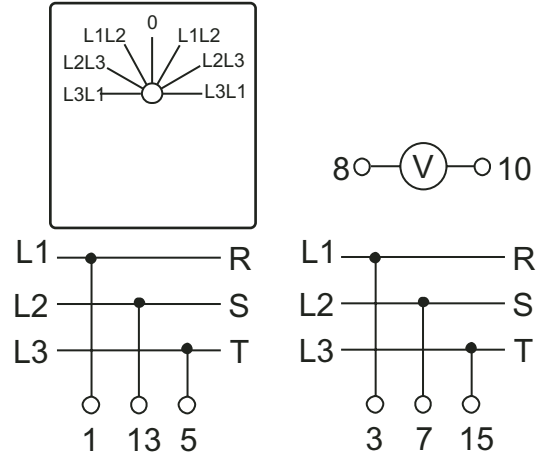
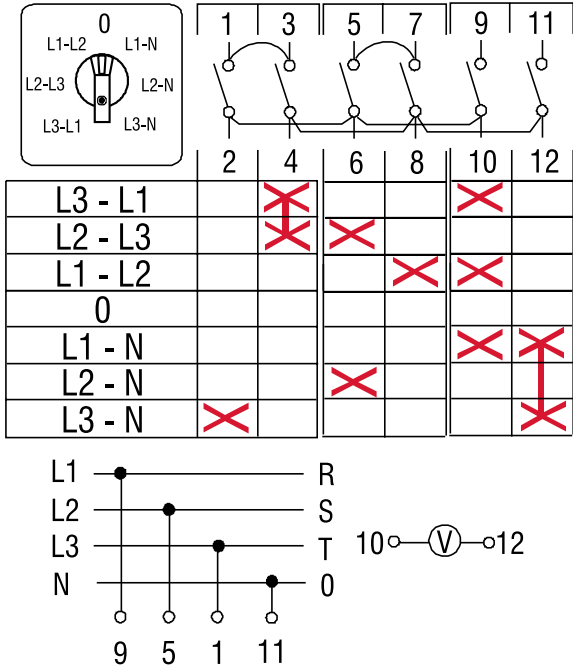


Circuit diagrams 7 position

O_V30_

OMV32PB – ONV32PB



11