

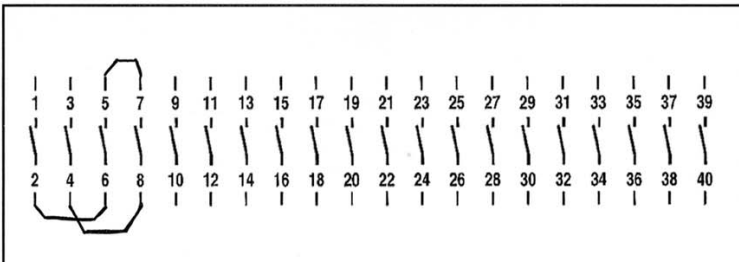
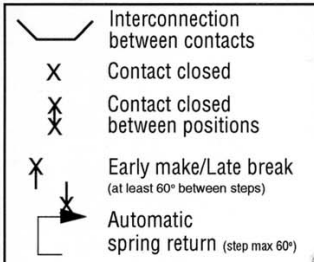
Contact plan example



Special Cam Switches, Contact plan

Company Company Ltd.
 Phone/Fax nr. 010 22 400
 Name Mr. Smith

Type _____
 Project number _____
 Customer's number 5375175-C
 Quantity: 5 pcs
 Handled by: Mr. Smith
 Date: 17.3.2000



	Angle	ON_M										OM										ON																	
		1	3	5	7	9	11	13	15	17	19	21	23	25	27	29	31	33	35	37	39	2	4	6	8	10	12	14	16	18	20	22	24	26	28	30	32	34	36
START	300°		X		X																																		
REVERSE	330°				X																																		
STOP	0																																						
FORWARD	30°				X																																		
START	60°	X		X																																			

Door mounting

OM, Miniature
 ON, Normal

Handle:

Black B
 Grey G
 Key operated

Additional lettering plate
Pump for high temp. water

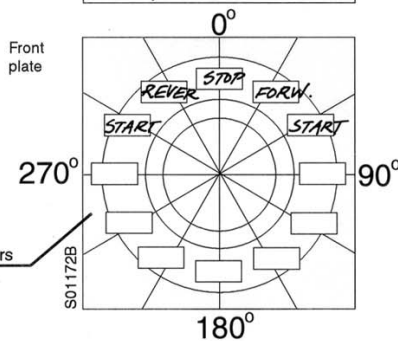
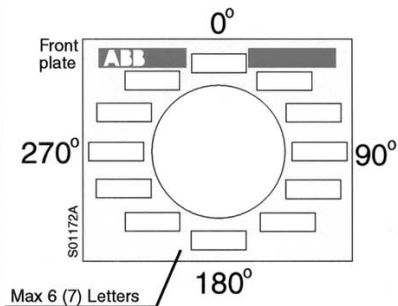


ABB Inc.

Max 20 contacts (ON), 16 contacts (OM)
 [Max 6 (7) Letters]

DIN-rail mounting

ON_M, Modular



Max 3 chambers = 6 contacts
 [Max 6 (7) Letters]