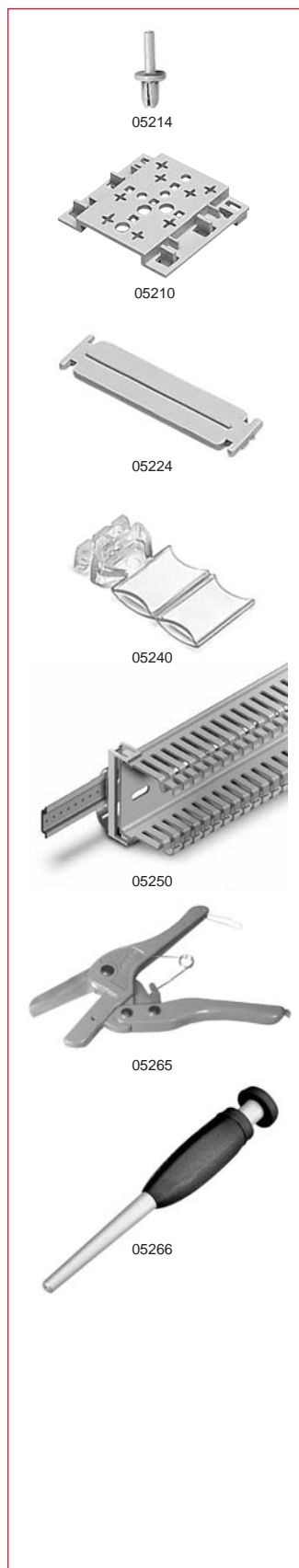


Wiring duct Tools and Accessories



Item	Pieces per package	Catalog number	List price per package
Plastic rivet, 4 mm (to be used with plastic ducting base)	100	05214	\$ 30
Plastic rivet, 6 mm, (to be used with plastic ducting base)	100	05216	36
Plastic ducting base	100	05210	150
Plastic wire stops for 8 – 12 mm slot 40 mm bases	100	05224	100
Plastic wire stops for 8 – 12 mm slot 60 mm bases	100	05226	125
Plastic wire stops for 8 – 12 mm slot 80 mm bases	100	05228	150
Plastic wire stops for 8 – 12 mm slot 100 mm bases	100	05230	200
Plastic label for 8 – 12 mm slot	100	05240	240
Rapid clip for DIN rail for 25 mm base	20	05250	100
Rapid clip for DIN rail for 40 mm base	20	05252	80
Rapid clip for DIN rail for 60 mm base	20	05254	90
Rapid clip for DIN rail for 80 mm base	20	05256	100
Rapid clip for DIN rail for 100 mm base	20	05258	105
Rapid clip for DIN rail for 120 mm base	20	05260	110
Rapid clip for DIN rail for 150 mm base	20	05262	115
Wire duct hand cutting tool	1	05265	150
Rivet gun	1	05266	200
Adhesive tape, 6 mm wide x 50 m long	1	05930	65
Adhesive tape, 9 mm wide x 50 m long	1	05932	95

Wiring duct covers

Dimensions Width mm	Color	Meters per package	Feet per package	Pieces per package	Catalog number	List price per package	List price per 2M piece	List price per foot
15	Gray	200	656	100	05300	\$ 400.00	\$ 4.00	\$ 0.61
25	Gray	60	197	30	05302	144.00	4.80	0.73
40	Gray	40	131	20	05304	170.00	8.50	1.30
60	Gray	24	79	12	05306	159.00	13.25	2.02
80	Gray	16	52	8	05308	164.00	20.50	3.12
100	Gray	48	157	24	05310	576.00	24.00	3.66
120	Gray	36	118	18	05312	621.00	34.50	5.26
150	Gray	28	92	14	05314	637.00	45.50	6.93
15	White	200	656	100	1SL5300A00	400.00	4.00	0.61
25	White	60	197	30	1SL5302A00	144.00	4.80	0.73
40	White	40	131	20	1SL5304A00	170.00	8.50	1.30
60	White	24	79	12	1SL5306A00	159.00	13.25	2.02
80	White	16	52	8	1SL5308A00	164.00	20.50	3.12
100	White	48	157	24	1SL5310A00	576.00	24.00	3.66
120	White	36	118	18	1SL5312A00	621.00	34.50	5.26
150	White	28	92	14	1SL5314A00	637.00	45.50	6.93

NOTE: Sold in package quantity only. Order quantity must equal quantity shown in "pieces per package" column.
Example: For 05300, 100 pieces must be ordered to get package quantity.