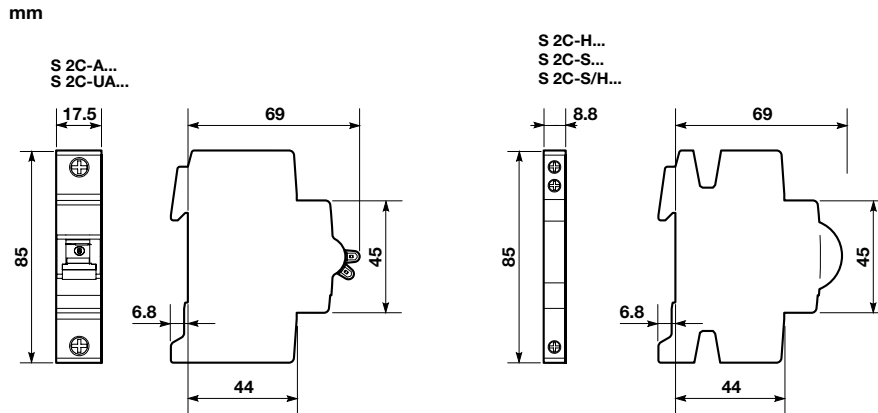


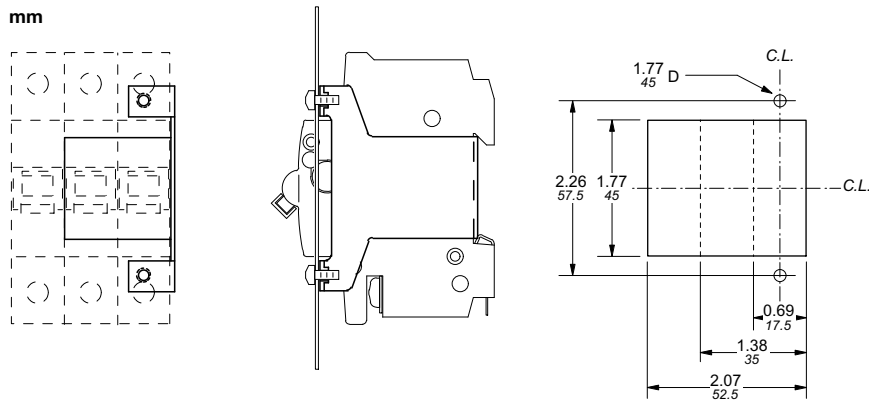
Approximate dimensions Accessories

00.00 Inches
00.00 [Millimeters]

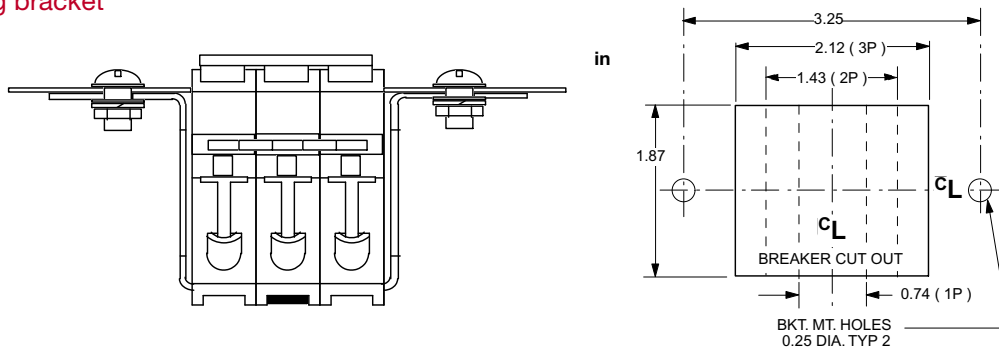
Accessories



MB-CL Front mounting clip



MB-3PD Front mounting bracket



S2C-DH Handle mechanism

