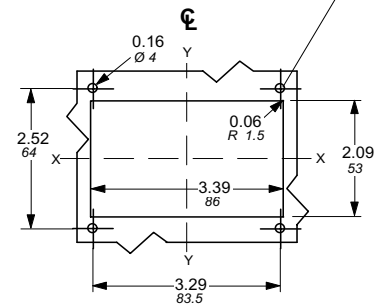
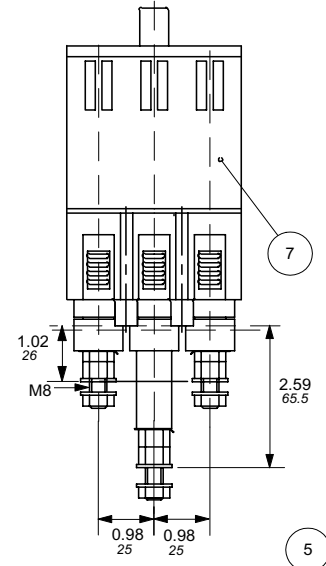
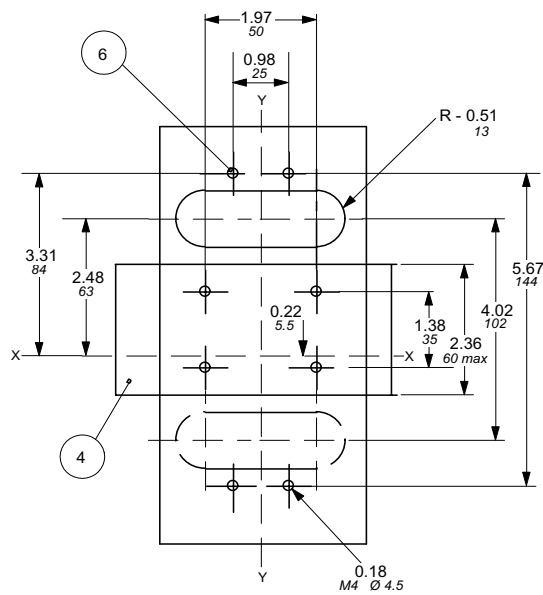
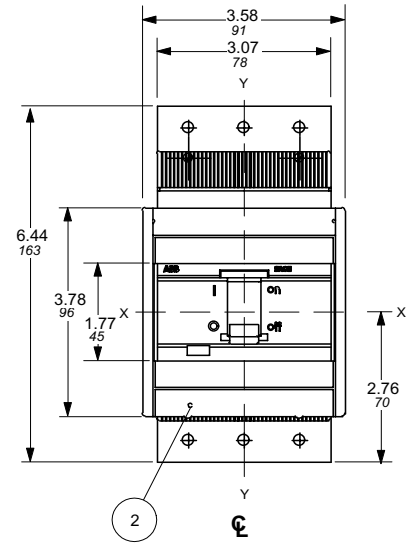
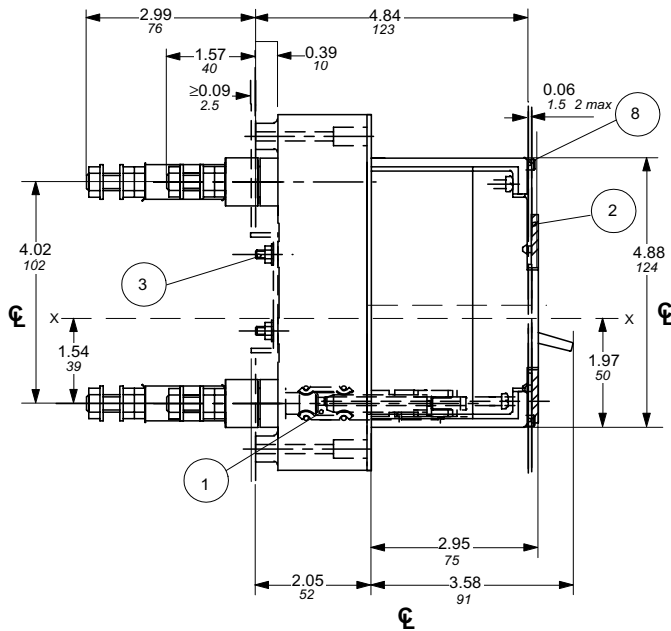


Approximate dimensions S1 Plug-in rear

Isomax
MCCBs

00.00 Inches
00.00 [Millimeters]



LEGEND

- 1-PLUG IN BASE
- 2-FLANGE FOR THE COMPARTMENT DOOR
- 3-MOUNTING SCREWS FOR PLUG IN BASE ON PLATE
- 4-MOUNTING HOLES FOR PLUG IN BASE ON CHANNEL
- 5-MOUNTING HOLES FOR FRONT FLANGE
- 6-MOUNTING HOLES FOR SHEET STEEL MOUNTING
- 7-TERMINAL COVERS (SEPERATE ITEM)
- 8-SEALING SCREWS (OPTIONAL)