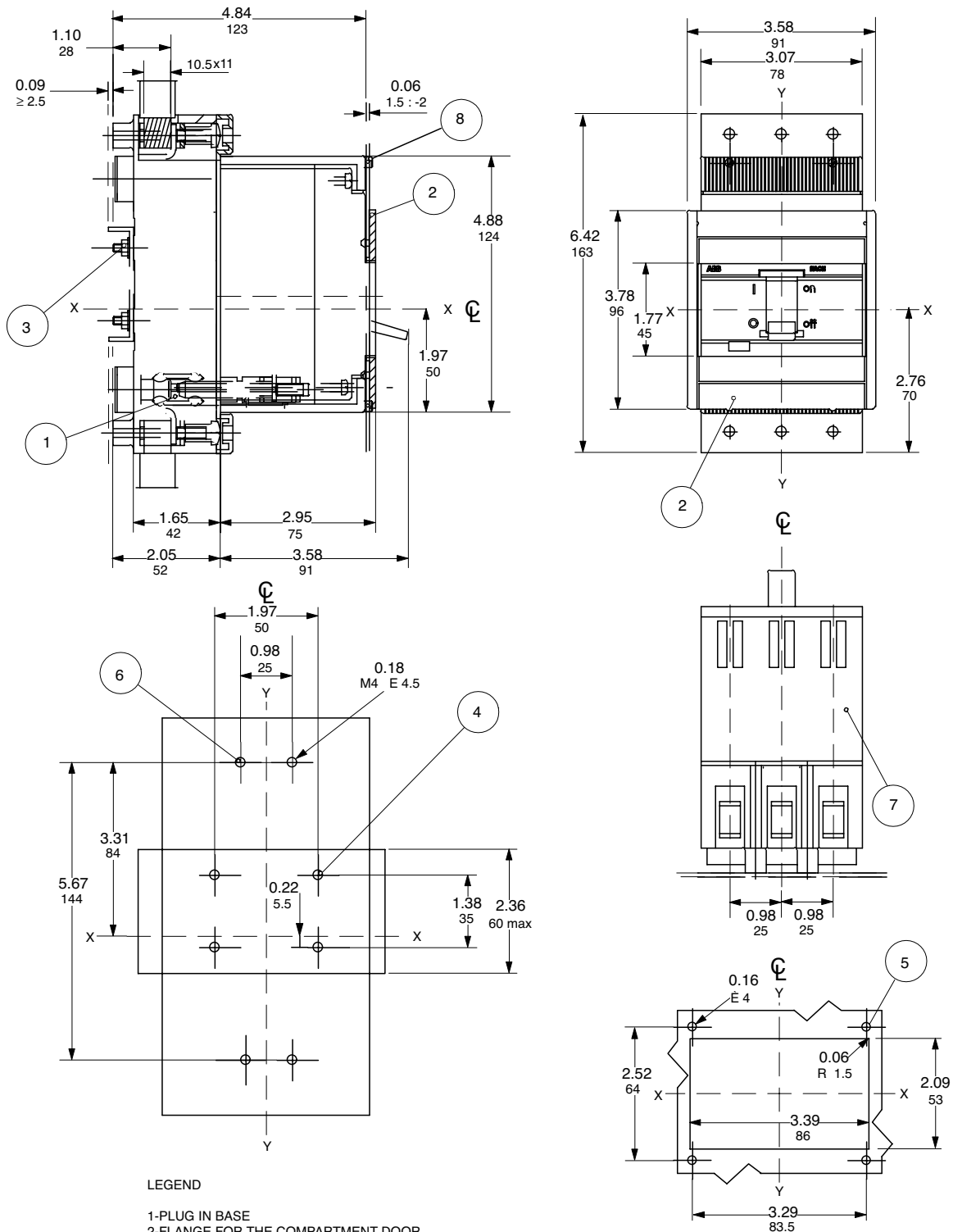


Approximate dimensions S1 Plug-in front

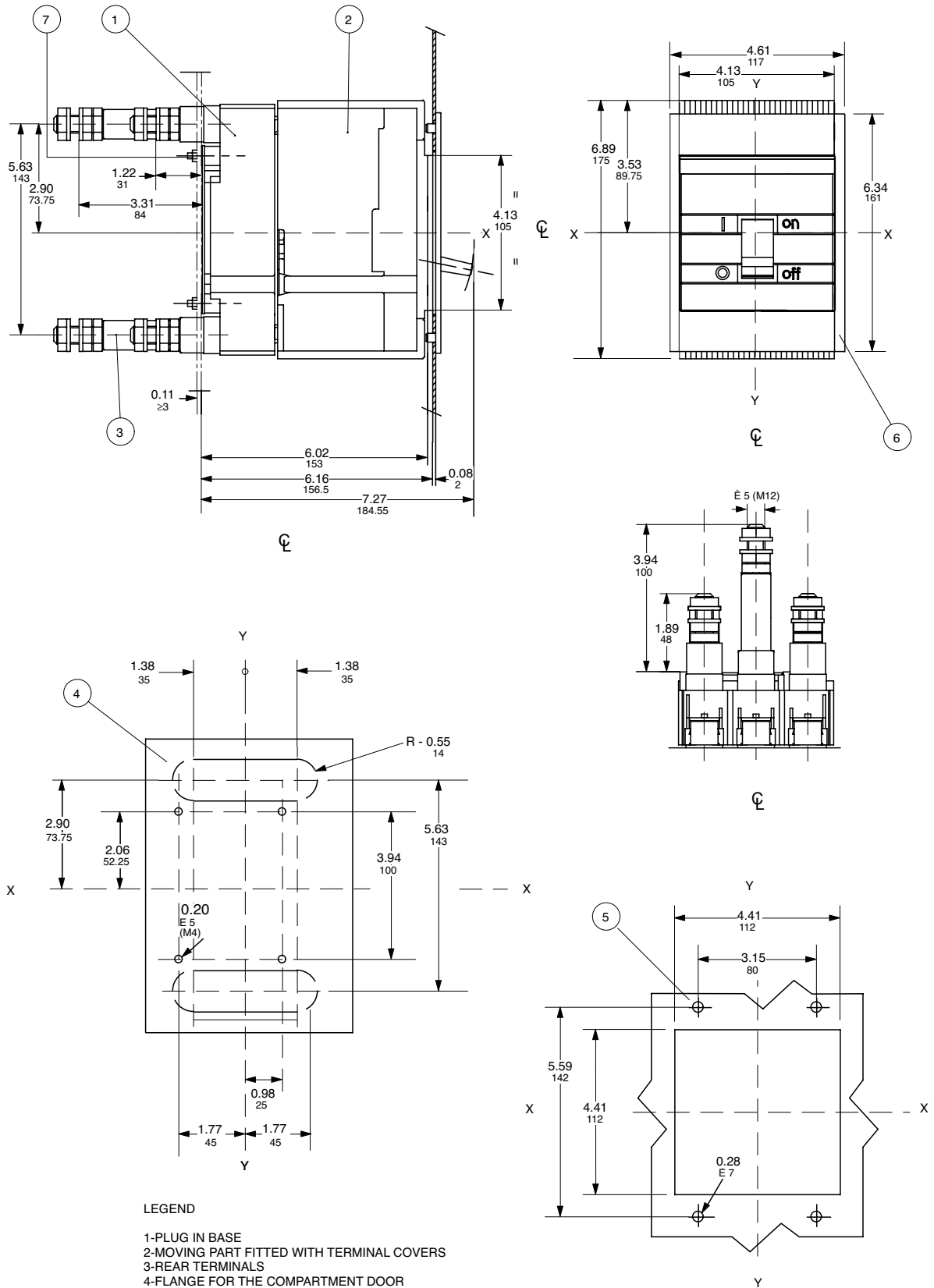
00.00 — Inches
00.00 — [Millimeters]



Approximate dimensions S3 Plug-in rear

Isomax
MCCBs

00.00 Inches
00.00 [Millimeters]

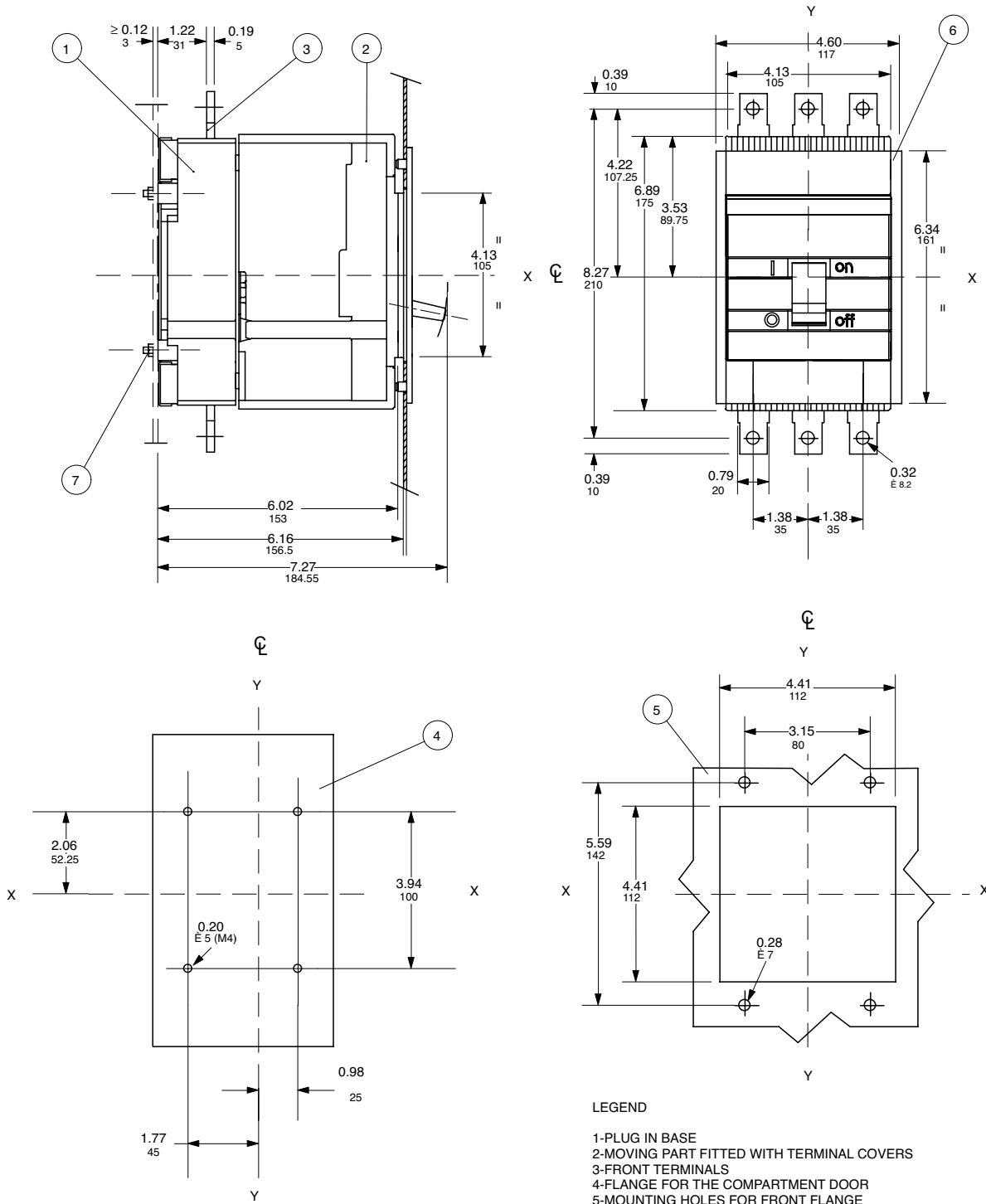


LEGEND

- 1-PLUG IN BASE
- 2-MOVING PART FITTED WITH TERMINAL COVERS
- 3-REAR TERMINALS
- 4-FLANGE FOR THE COMPARTMENT DOOR
- 5-MOUNTING HOLES FOR FRONT FLANGE
- 6-MOUNTING HOLES FOR SHEET STEEL MOUNTING
- 7-TIGHTENING TORQUE 9.7 lb-in

Approximate dimensions S3 Plug-in front

← 00.00 → Inches
00.00 → [Millimeters]



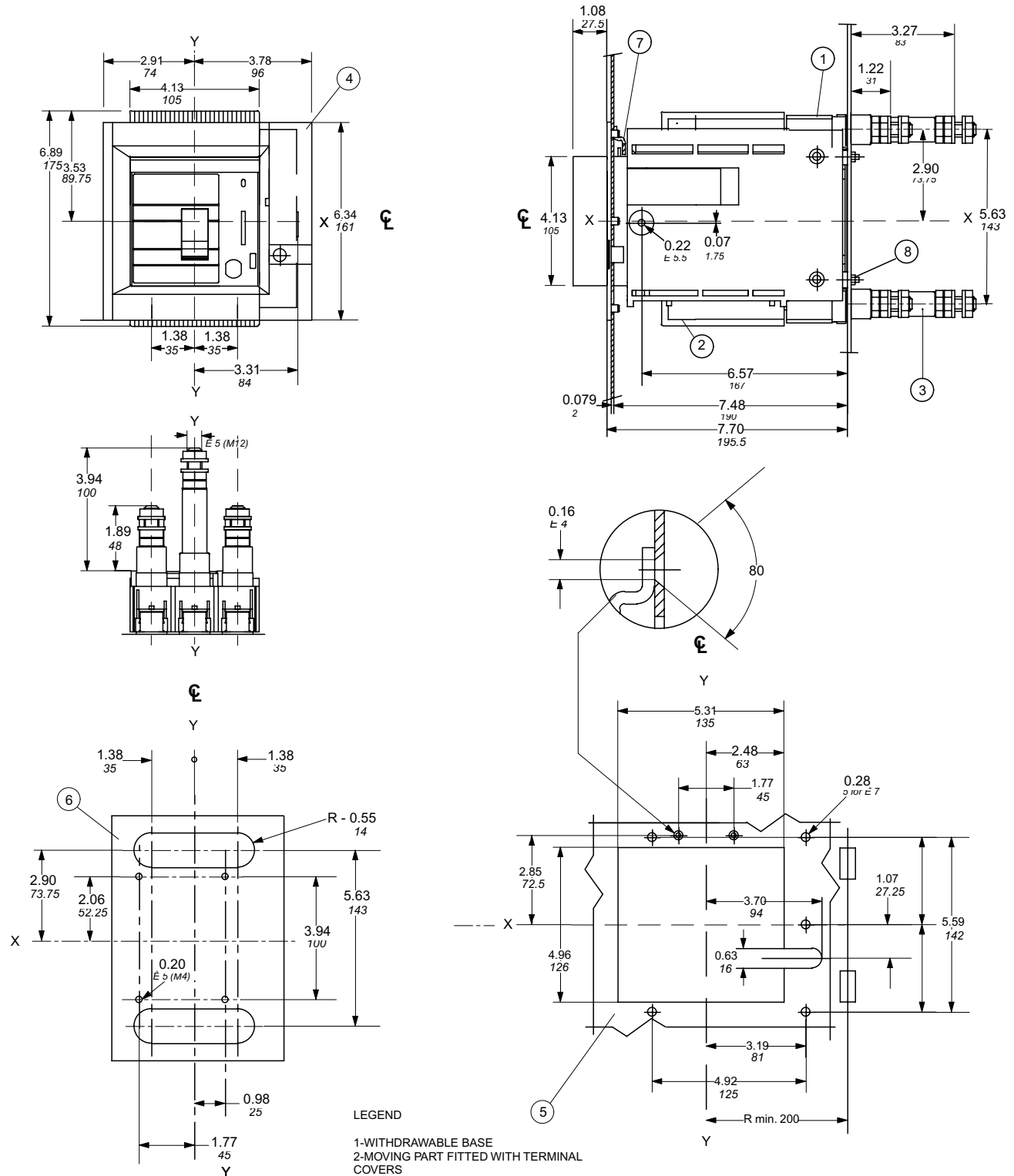
- LEGEND**
- 1-PLUG IN BASE
 - 2-MOVING PART FITTED WITH TERMINAL COVERS
 - 3-FRONT TERMINALS
 - 4-FLANGE FOR THE COMPARTMENT DOOR
 - 5-MOUNTING HOLES FOR FRONT FLANGE
 - 6-MOUNTING HOLES FOR SHEET STEEL MOUNTING
 - 7-TIGHTENING TORQUE 9.7 lb-in

15

Approximate dimensions S3 Withdrawable rear

Isomax
MCCBs

00.00 Inches
00.00 [Millimeters]

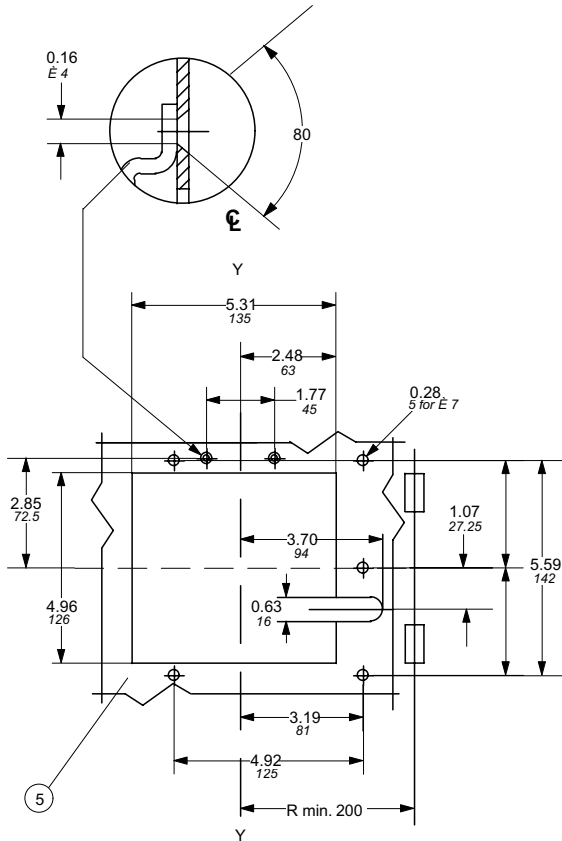
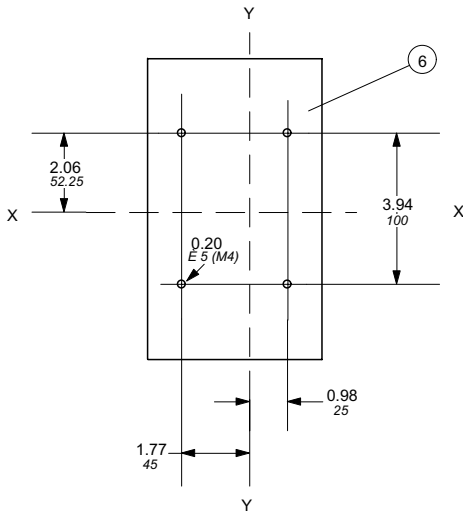
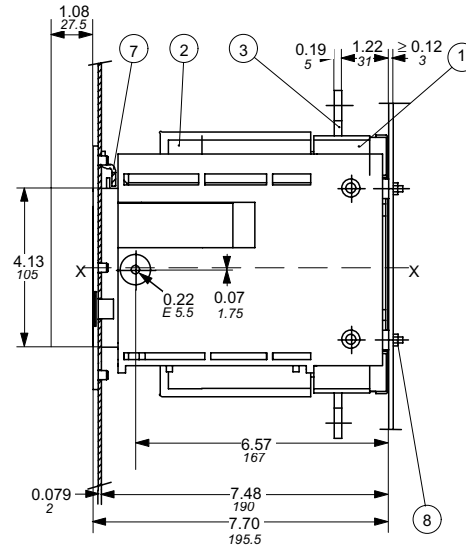
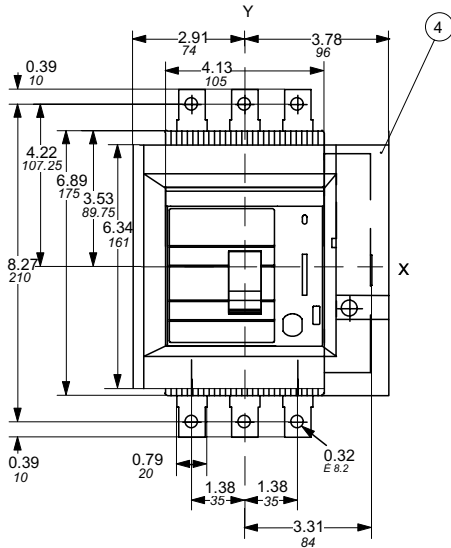


LEGEND

- 1-WITHDRAWABLE BASE
- 2-MOVING PART FITTED WITH TERMINAL COVERS
- 3-REAR TERMINALS
- 4-FLANGE FOR THE COMPARTMENT DOOR
- 5-MOUNTING HOLES FOR FLANGE
- 6-MOUNTING HOLES FOR SHEET STEEL MOUNTING
- 7-COMPARTMENT DOOR INTERLOCK
- 8-TIGHTENING TORQUE 9.7 lb-in

Approximate dimensions S3 Withdrawable front

00.00 Inches
00.00 [Millimeters]



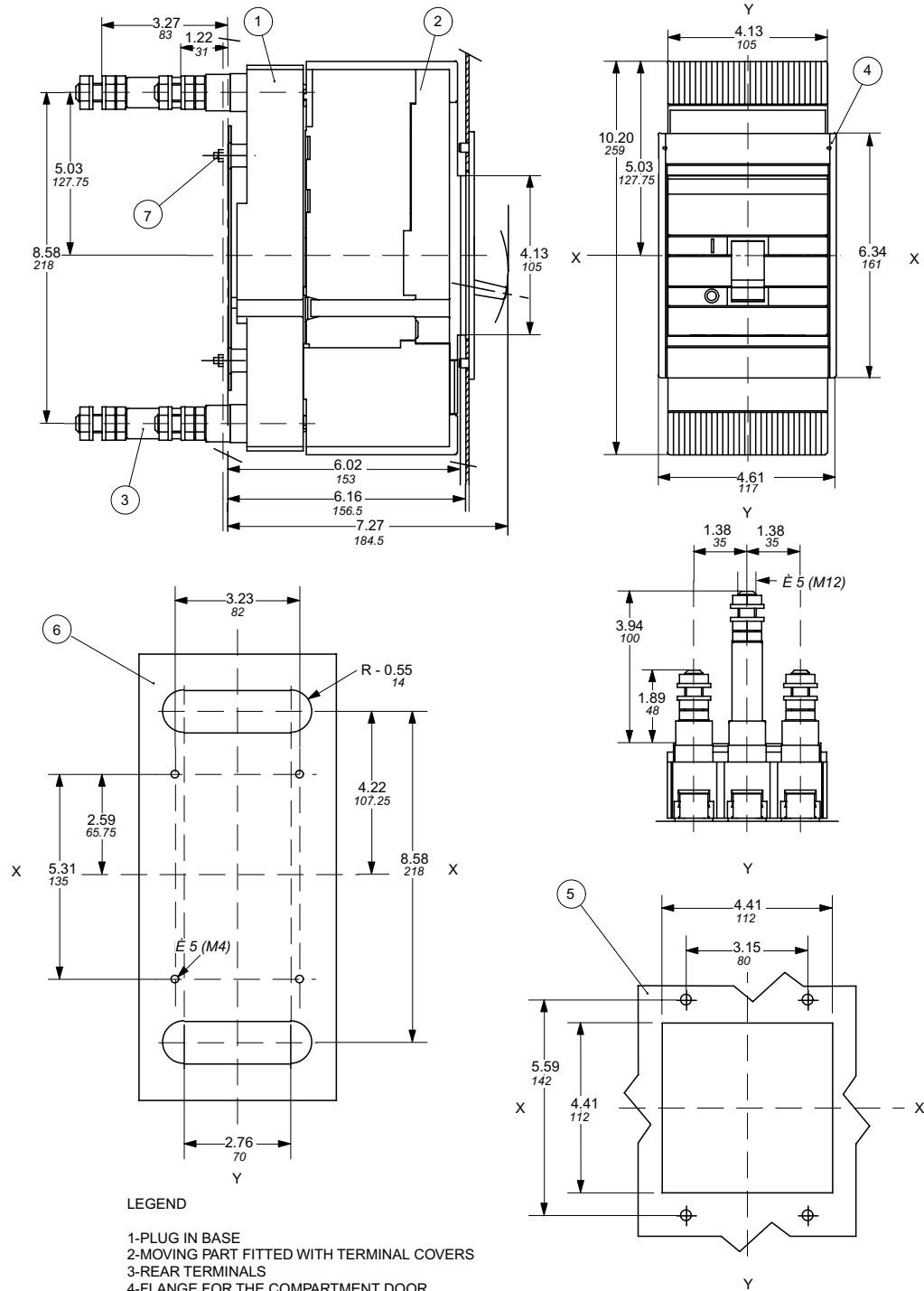
LEGEND

- 1-WITHDRAWABLE BASE
- 2-MOVING PART FITTED WITH TERMINAL COVERS
- 3-FRONT TERMINALS
- 4-FLANGE FOR THE COMPARTMENT DOOR
- 5-MOUNTING HOLES FOR FLANGE
- 6-MOUNTING HOLES FOR SHEET STEEL MOUNTING
- 7-COMPARTMENT DOOR INTERLOCK
- 8-TIGHTENING TORQUE 9.7 lb-in

Approximate dimensions S4 Plug-in rear

Isomax
MCCBs

00.00 Inches
00.00 [Millimeters]

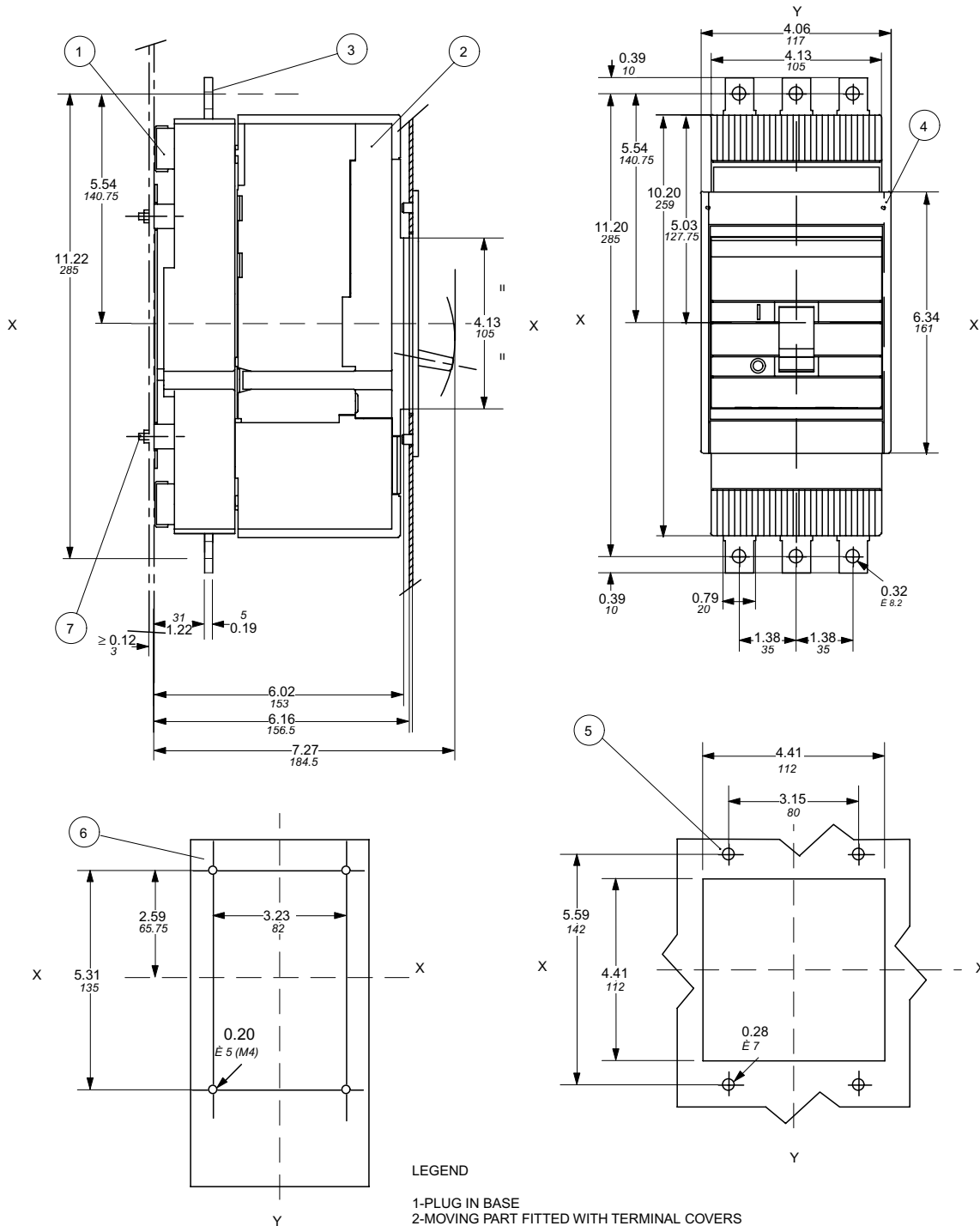


LEGEND

- 1-PLUG IN BASE
- 2-MOVING PART FITTED WITH TERMINAL COVERS
- 3-REAR TERMINALS
- 4-FLANGE FOR THE COMPARTMENT DOOR
- 5-MOUNTING HOLES FOR FRONT FLANGE
- 6-MOUNTING HOLES FOR SHEET STEEL MOUNTING
- 7-TIGHTENING TORQUE 9.7 lb-in

Approximate dimensions S4 Plug-in front

00.00 Inches
00.00 [Millimeters]



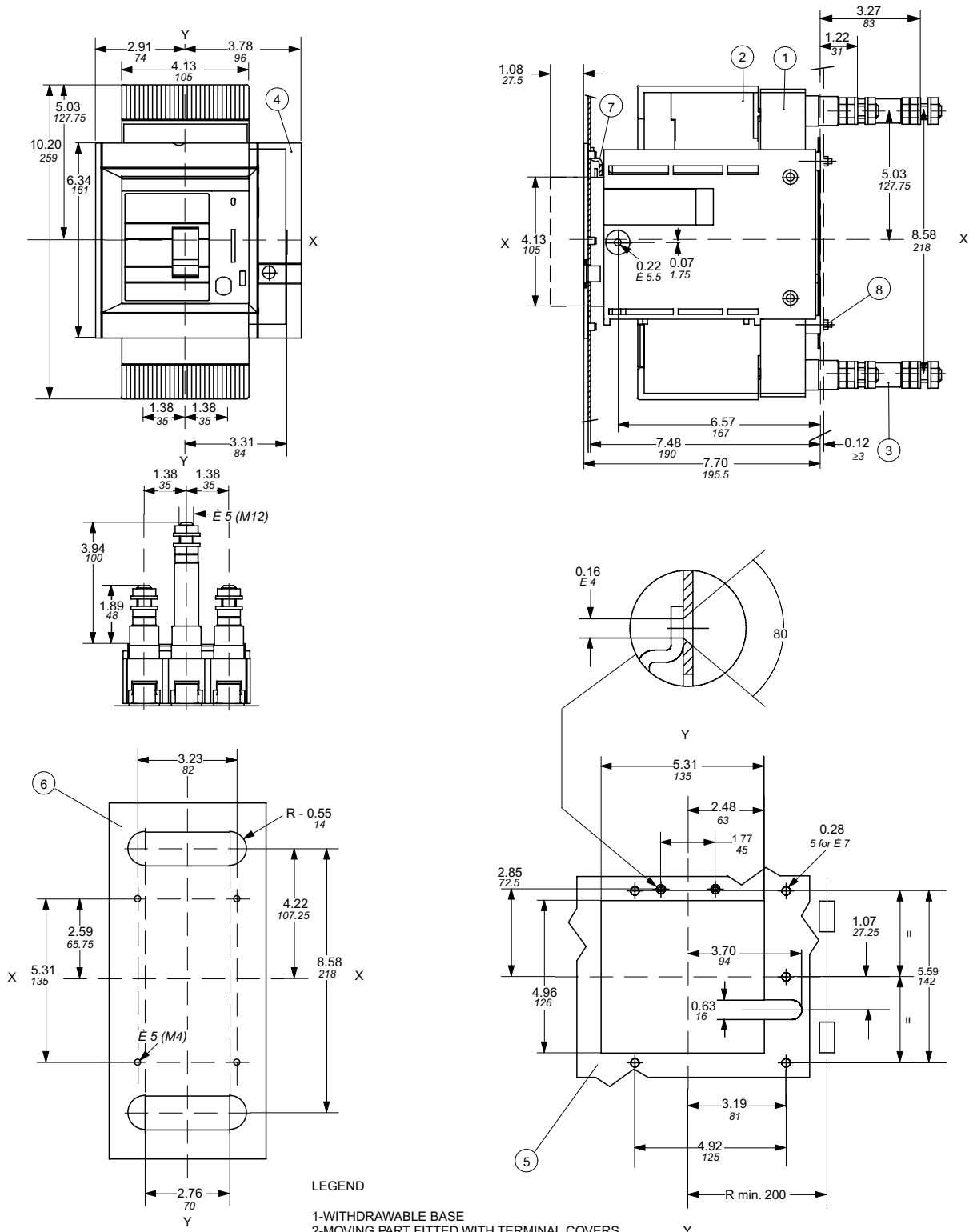
LEGEND

- 1-PLUG IN BASE
- 2-MOVING PART FITTED WITH TERMINAL COVERS
- 3- FRONT TERMINAL
- 4-FLANGE FOR THE COMPARTMENT DOOR
- 5-MOUNTING HOLES FOR FRONT FLANGE
- 6-MOUNTING HOLES FOR SHEET STEEL MOUNTING
- TIGHTENING TORQUE 9.7 lb-in

Approximate dimensions S4 Withdrawable rear

Isomax
MCCBs

00.00 Inches
00.00 [Millimeters]

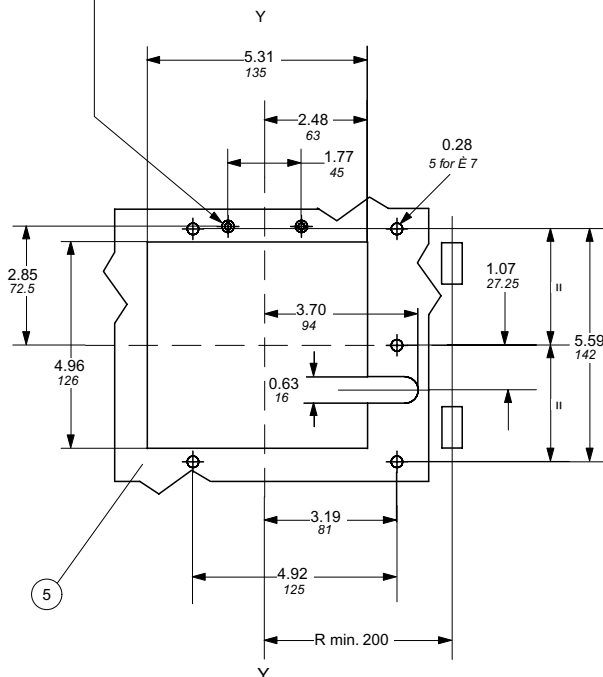
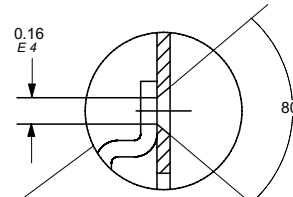
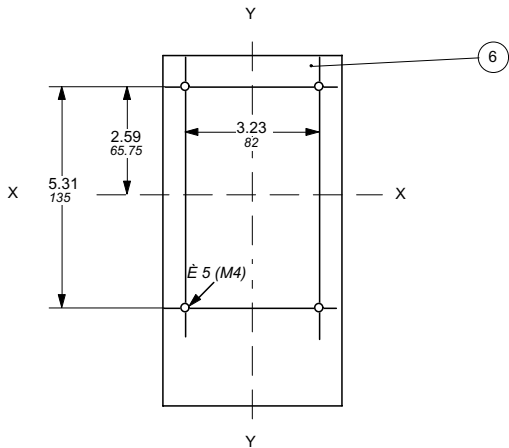
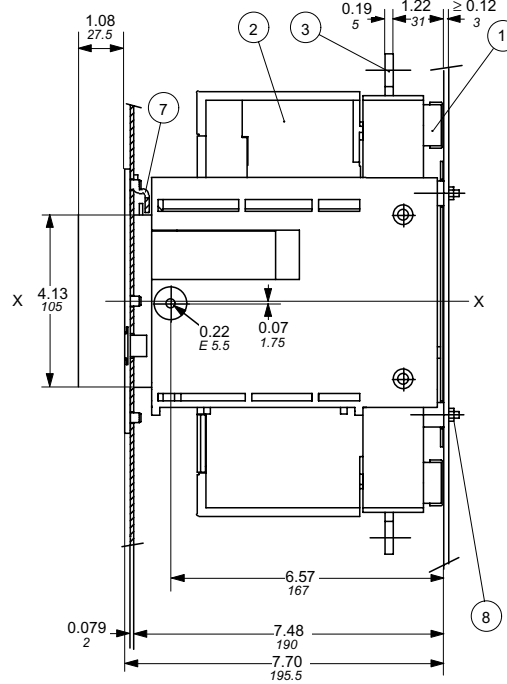
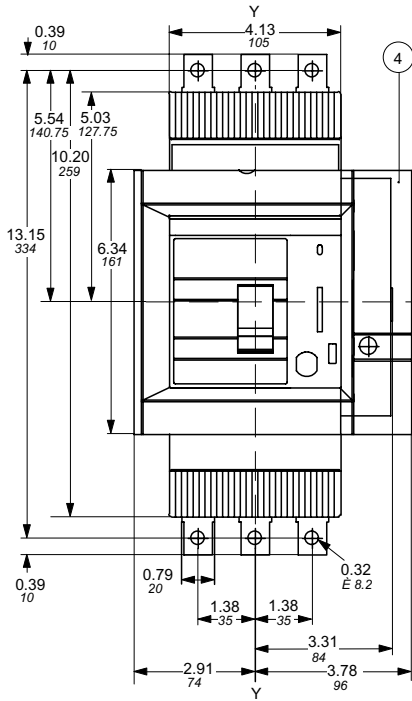


LEGEND

- 1-WITHDRAWABLE BASE
- 2-MOVING PART FITTED WITH TERMINAL COVERS
- 3-REAR TERMINALS
- 4-FLANGE FOR THE COMPARTMENT DOOR
- 5-MOUNTING HOLES FOR FRONT FLANGE
- 6-MOUNTING HOLES FOR SHEET STEEL MOUNTING
- 7-COMPARTMENT DOOR INTERLOCK
- 8-TIGHTENING TORQUE 9.7 lb-in

Approximate dimensions S4 Withdrawable front

00.00 Inches
00.00 [Millimeters]



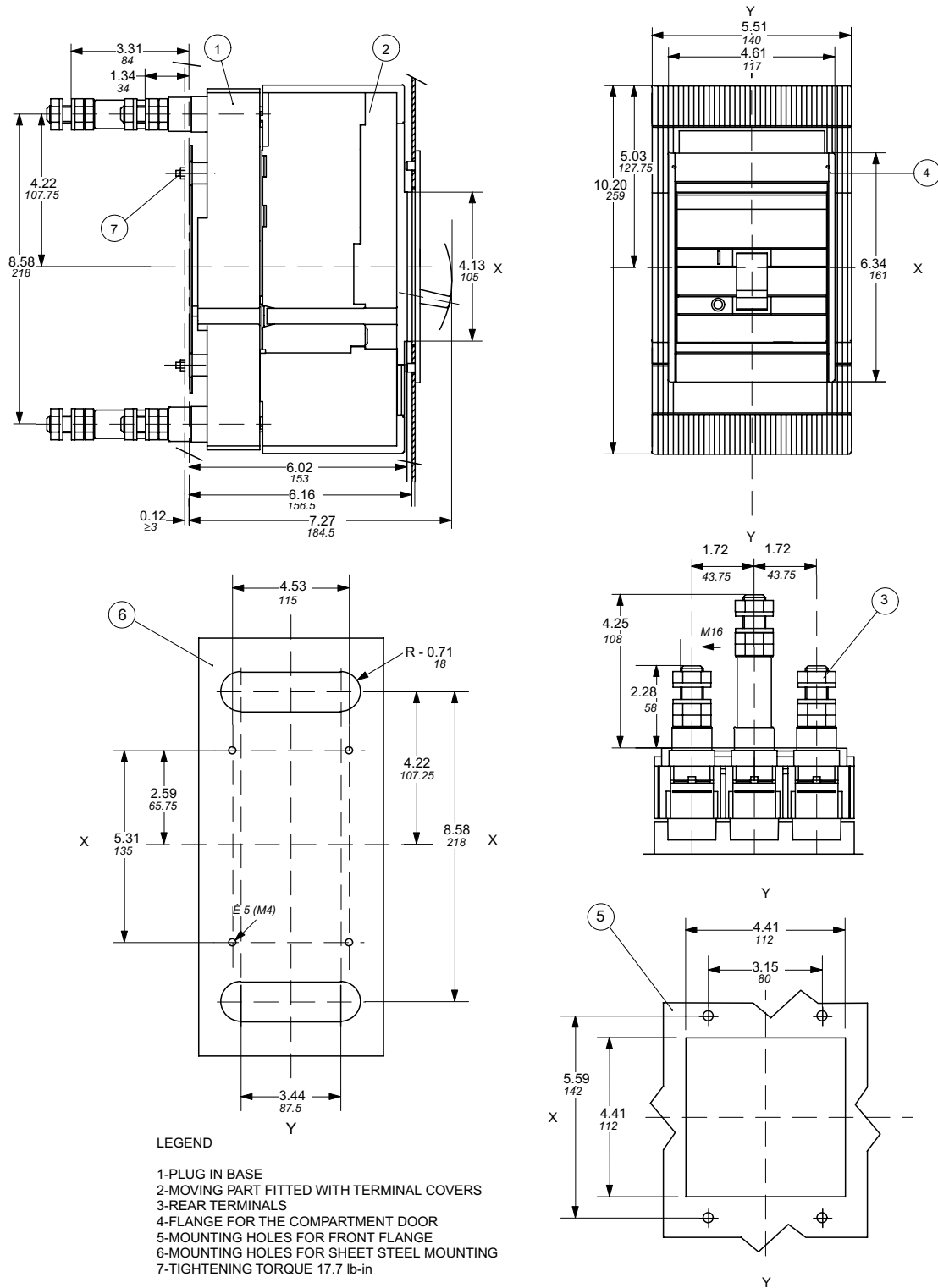
LEGEND

- 1-WITHDRAWABLE BASE
- 2-MOVING PART FITTED WITH TERMINAL COVERS
- 3-FRONT TERMINALS
- 4-FLANGE FOR THE COMPARTMENT DOOR
- 5-MOUNTING HOLES FOR FLANGE
- 6-MOUNTING HOLES FOR SHEET STEEL MOUNTING
- 7-COMPARTMENT DOOR INTERLOCK
- 8-TIGHTENING TORQUE 9.7 lb-in

Approximate dimensions S5 Plug-in rear

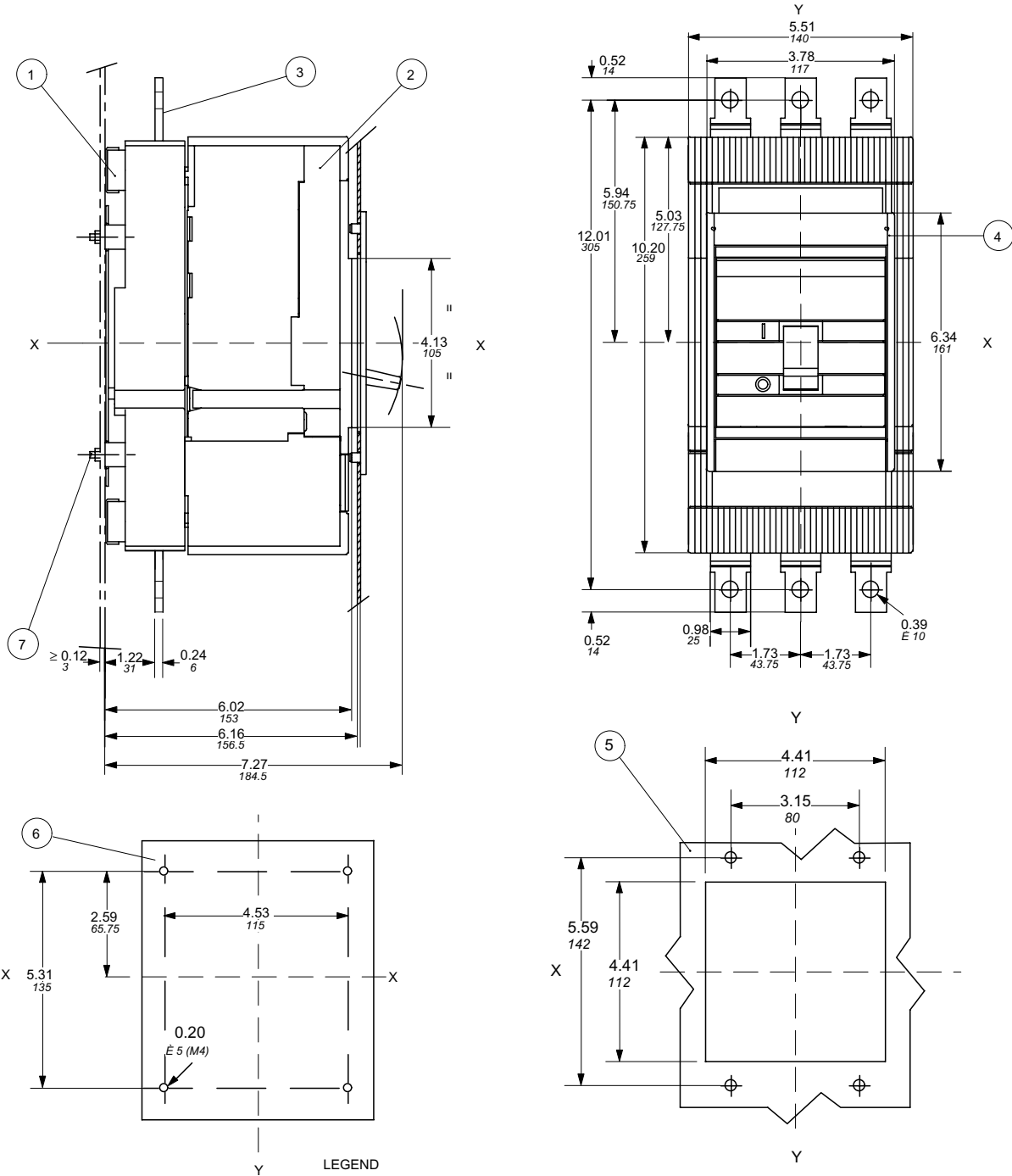
Isomax
MCCBs

00.00 Inches
00.00 [Millimeters]



Approximate dimensions S5 Plug-in front

00.00 Inches
00.00 [Millimeters]



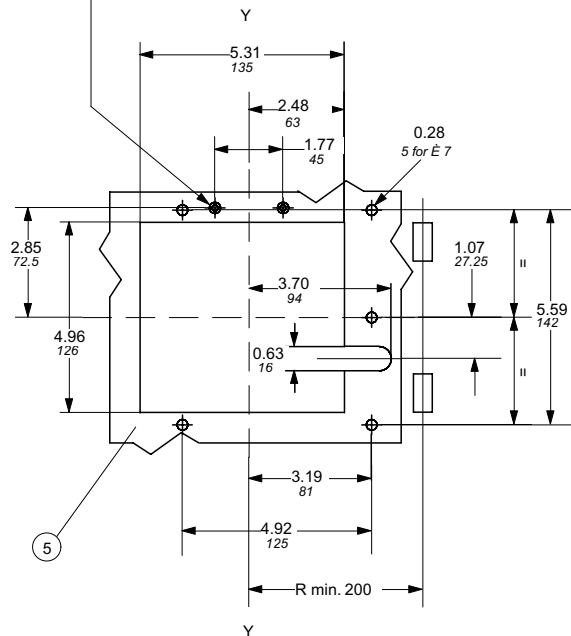
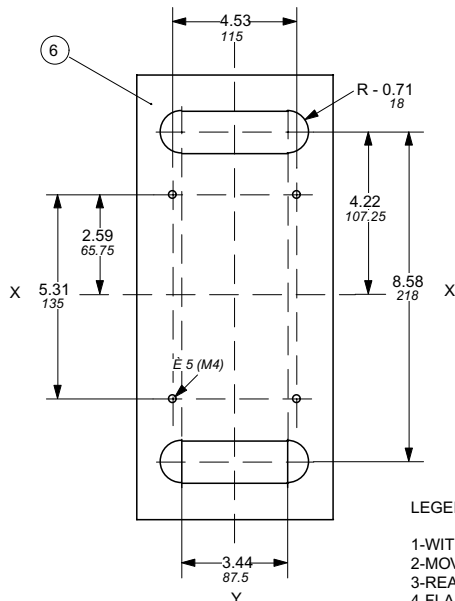
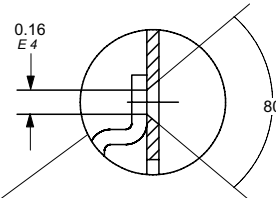
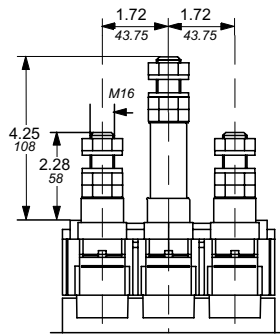
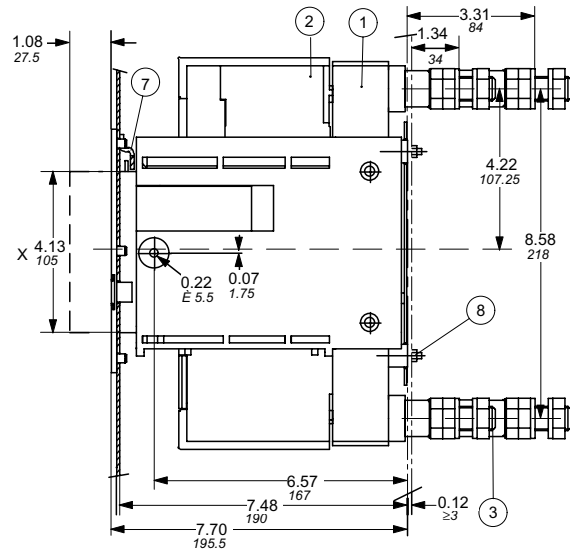
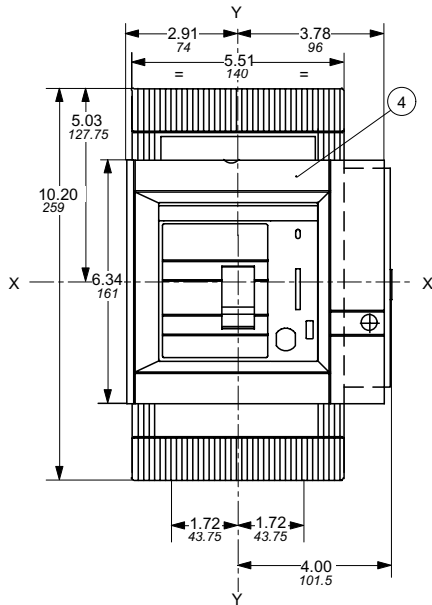
- LEGEND
- 1-PLUG IN BASE
 - 2-MOVING PART FITTED WITH TERMINAL COVERS
 - 3-FRONT TERMINALS
 - 4-FLANGE FOR THE COMPARTMENT DOOR
 - 5-MOUNTING HOLES FOR FRONT FLANGE
 - 6-MOUNTING HOLES FOR SHEET STEEL MOUNTING
 - 7-TIGHTENING TORQUE 17.7 lb-in

15

Approximate dimensions S5 Withdrawable rear

Isomax
MCCBs

00.00 Inches
00.00 [Millimeters]

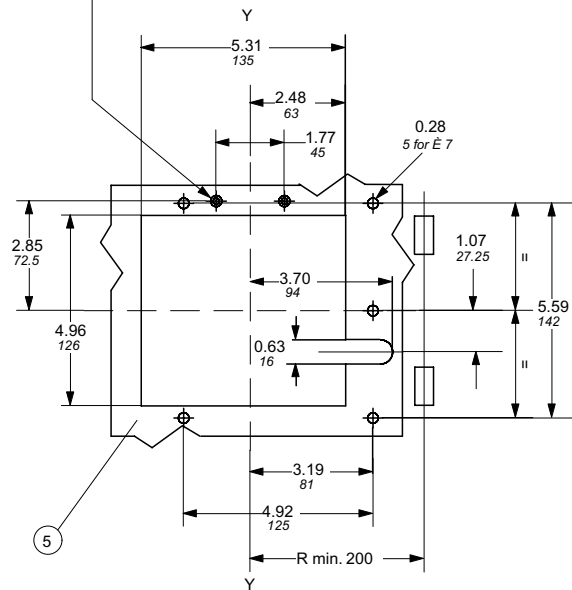
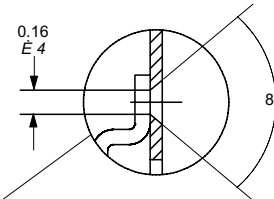
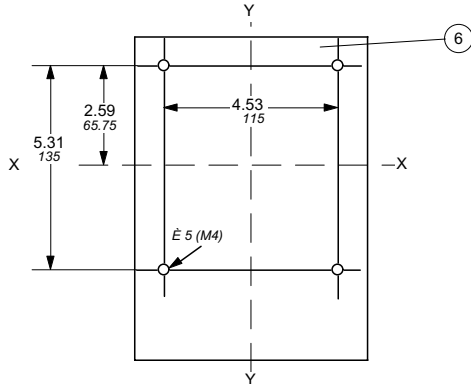
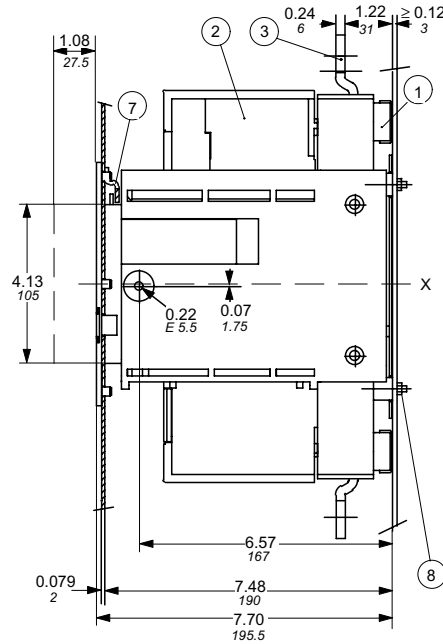
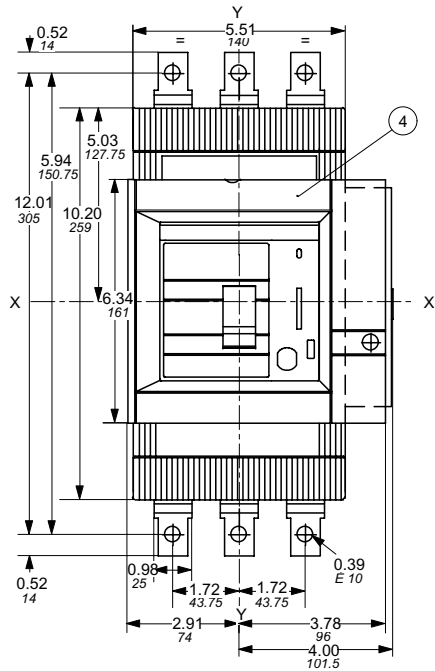


LEGEND

- 1-WITHDRAWABLE BASE
- 2-MOVING PART FITTED WITH TERMINAL COVERS
- 3-REAR TERMINALS
- 4-FLANGE FOR THE COMPARTMENT DOOR
- 5-MOUNTING HOLES FOR FRONT FLANGE
- 6-MOUNTING HOLES FOR SHEET STEEL MOUNTING
- 7-COMPARTMENT DOOR INTERLOCK
- 8-TIGHTENING TORQUE 9.7 lb-in

Approximate dimensions S5 Withdrawable front

← 00.00 → Inches
00.00 → [Millimeters]



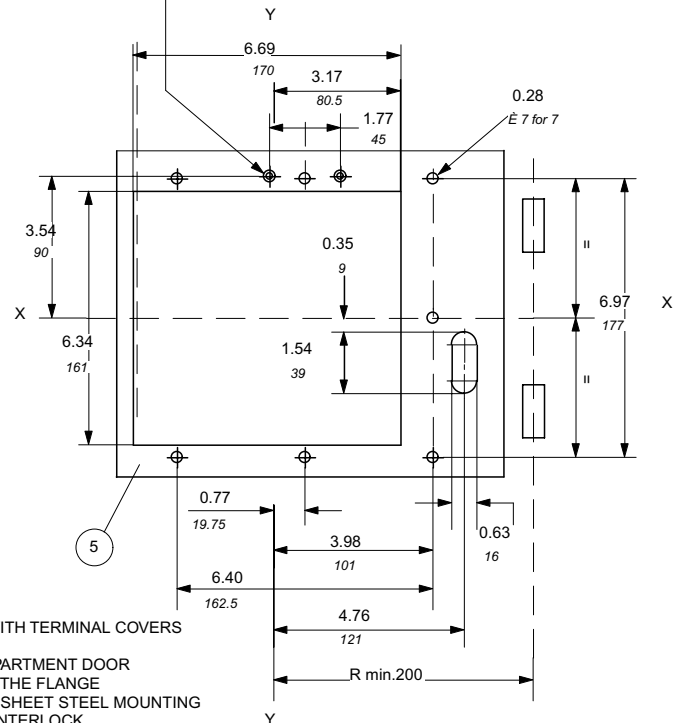
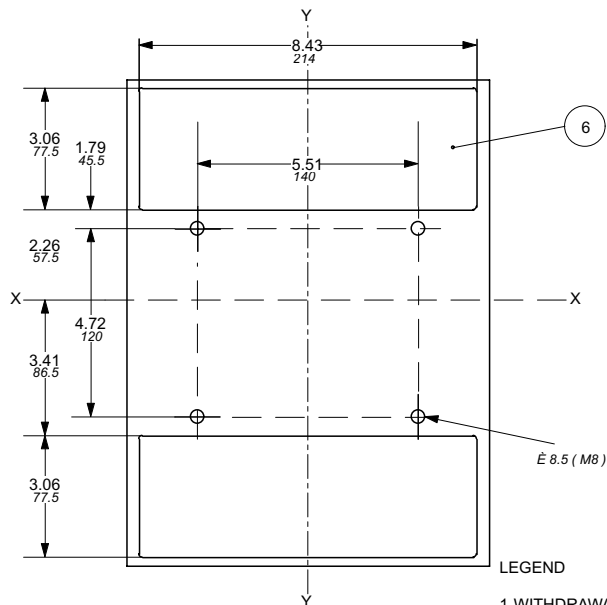
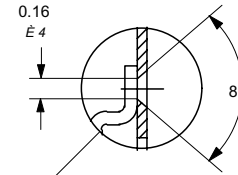
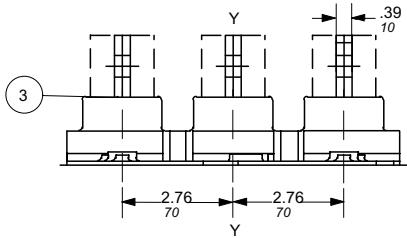
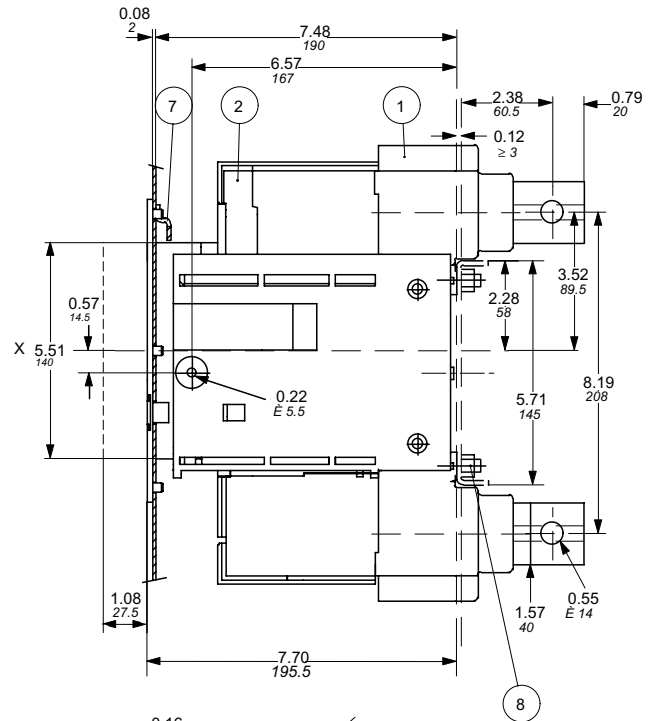
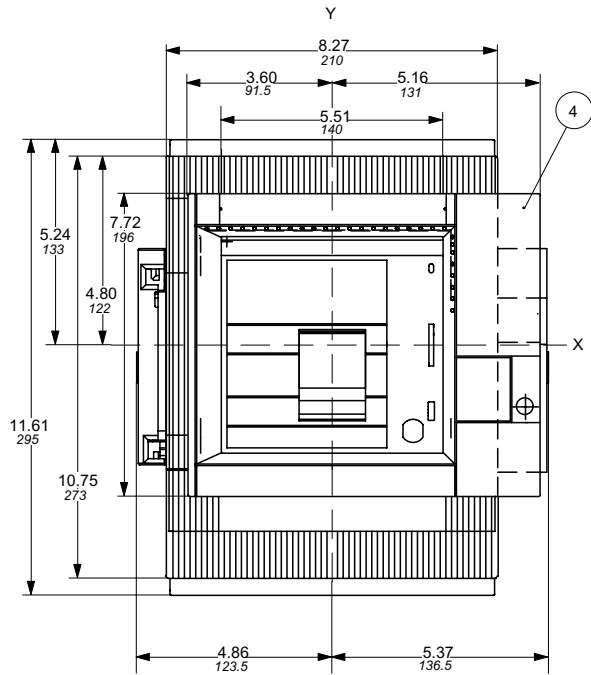
LEGEND

- 1- WITHDRAWABLE BASE
- 2-MOVING PART FITTED WITH TERMINAL COVERS
- 3-FRONT TERMINALS
- 4-COMPARTMENT DOOR FLANGE
- 5-MOUNTING HOLES FOR FLANGE
- 6-MOUNTING HOLES FOR SHEET STEEL MOUNTING
- 7-COMPARTMENT DOOR INTERLOCK
- 8-TIGHTENING TORQUE 9.7 lb-in

Approximate dimensions S6 Withdrawable rear

Isomax
MCCBs

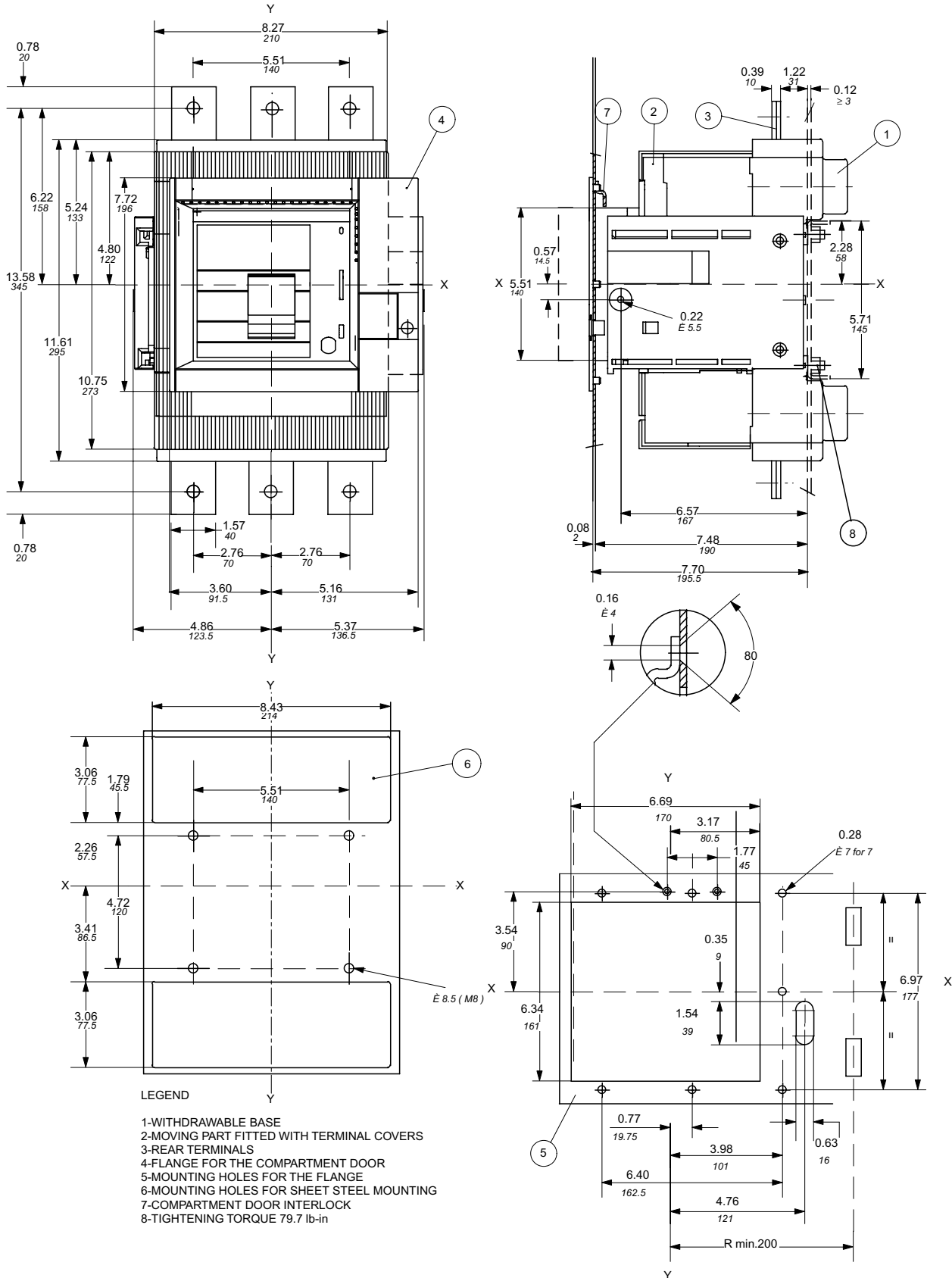
00.00 Inches
00.00 [Millimeters]



- LEGEND
- 1-WITHDRAWABLE BASE
 - 2-MOVING PART FITTED WITH TERMINAL COVERS
 - 3-REAR TERMINALS
 - 4-FLANGE FOR THE COMPARTMENT DOOR
 - 5-MOUNTING HOLES FOR THE FLANGE
 - 6-MOUNTING HOLES FOR SHEET STEEL MOUNTING
 - 7-COMPARTMENT DOOR INTERLOCK
 - 8-TIGHTENING TORQUE 79.7 lb-in

Approximate dimensions S6 Withdrawable front

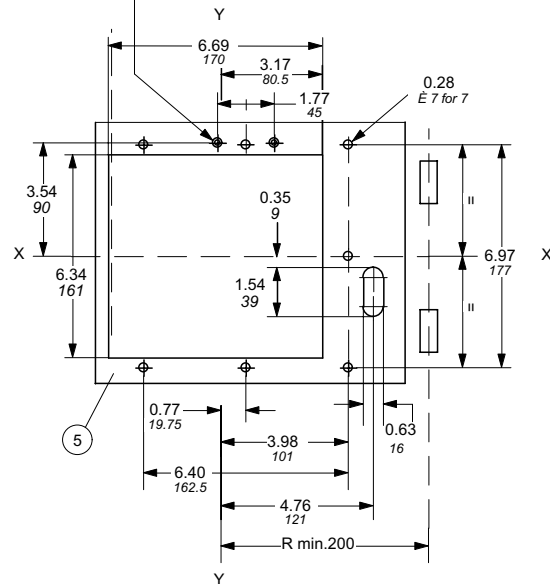
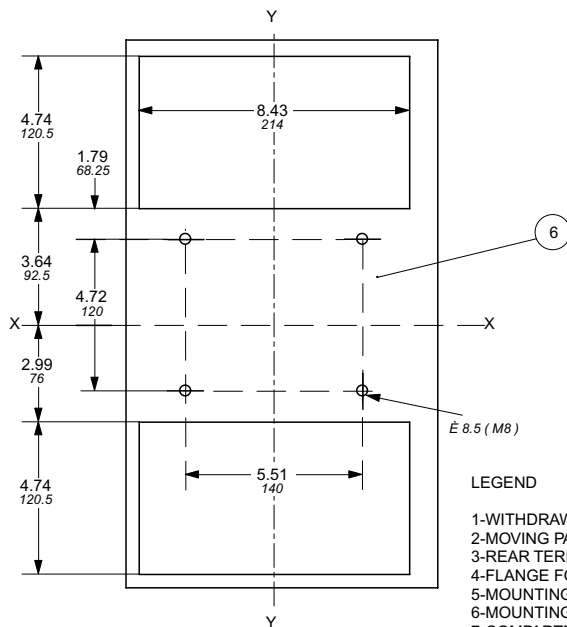
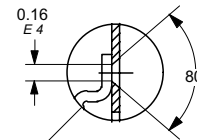
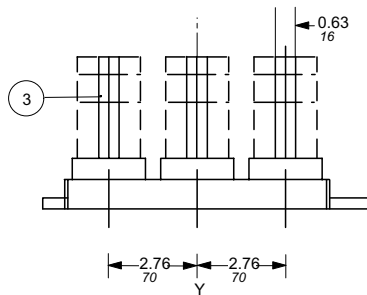
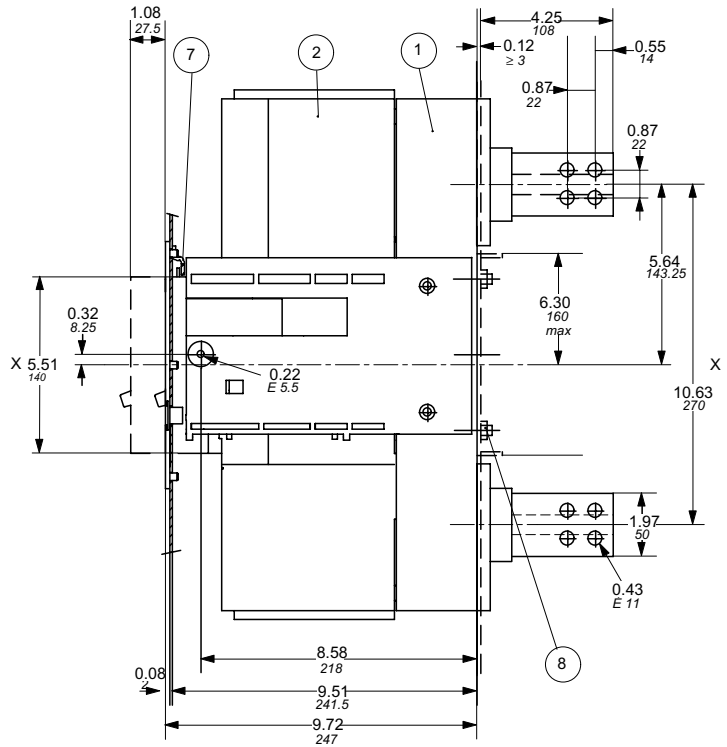
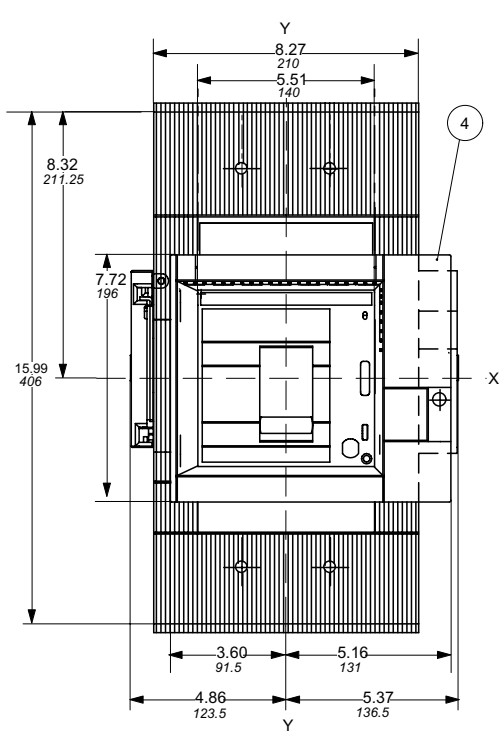
← 00.00 → Inches
00.00 → [Millimeters]



Approximate dimensions S7 Withdrawable rear

Isomax
MCCBs

00.00 Inches
00.00 [Millimeters]

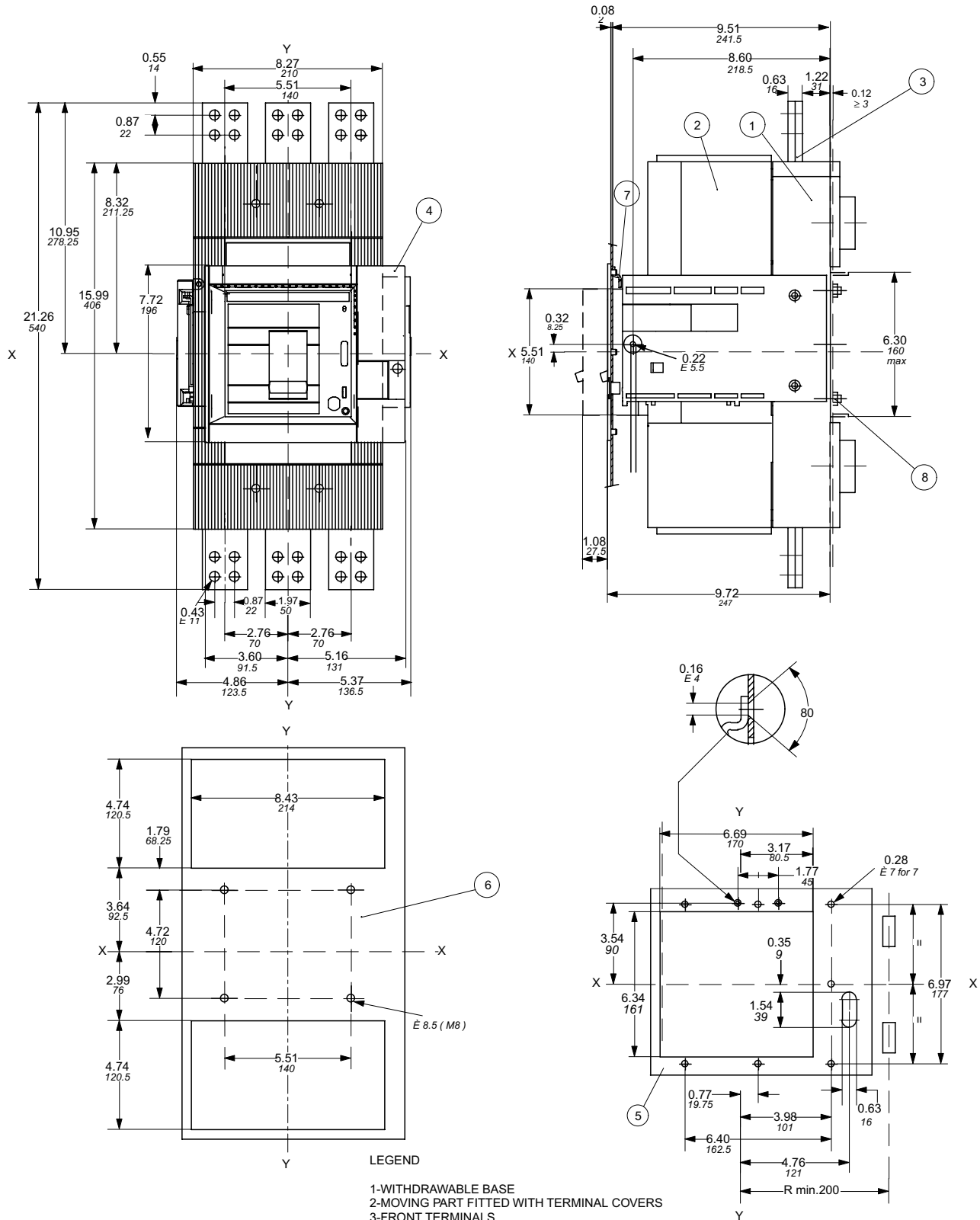


LEGEND

- 1-WITHDRAWABLE BASE
- 2-MOVING PART FITTED WITH TERMINAL COVERS
- 3-REAR TERMINALS
- 4-FLANGE FOR THE COMPARTMENT DOOR
- 5-MOUNTING HOLES FOR FLANGE
- 6-MOUNTING HOLES FOR SHEET STEEL MOUNTING
- 7-COMPARTMENT DOOR INTERLOCK
- 8-TIGHTENING TORQUE 79.7 lb-in

Approximate dimensions S7 Withdrawable front

← 00.00 → Inches
00.00 → [Millimeters]

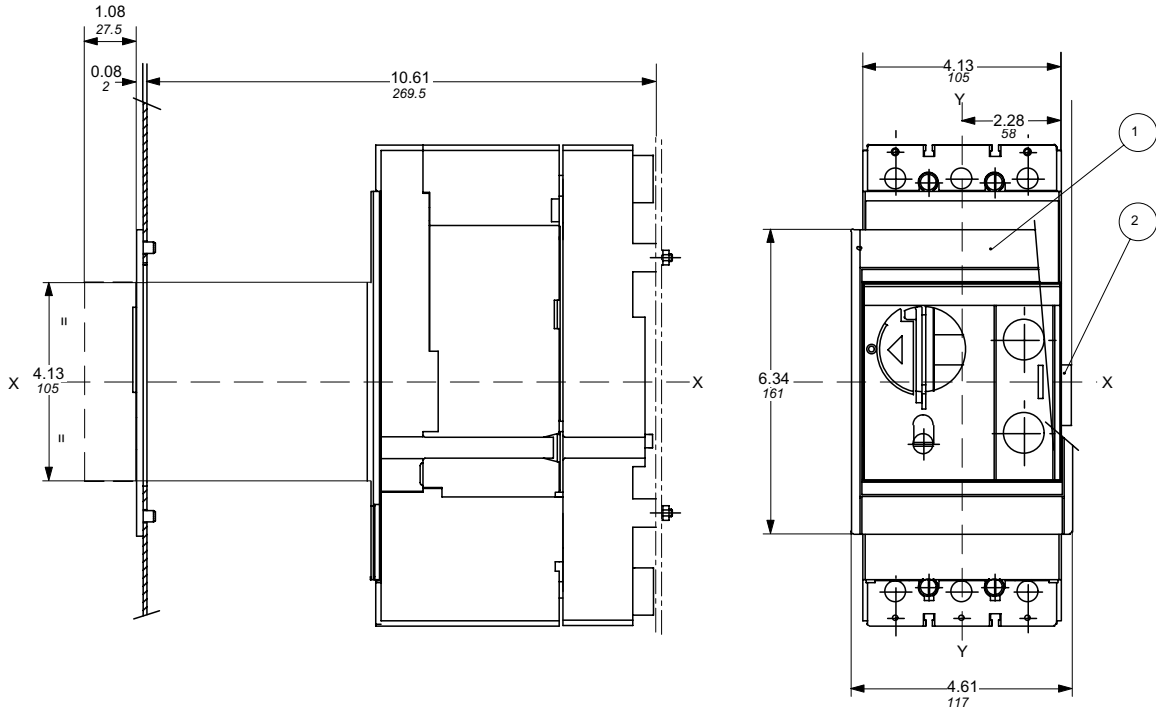


- LEGEND**
- 1-WITHDRAWABLE BASE
 - 2-MOVING PART FITTED WITH TERMINAL COVERS
 - 3-FRONT TERMINALS
 - 4-FLANGE FOR THE COMPARTMENT DOOR
 - 5-MOUNTING HOLES FOR FLANGE
 - 6-MOUNTING HOLES FOR SHEET STEEL MOUNTING
 - 7-COMPARTMENT DOOR INTERLOCK
 - 8-TIGHTENING TORQUE 79.7 lb-in

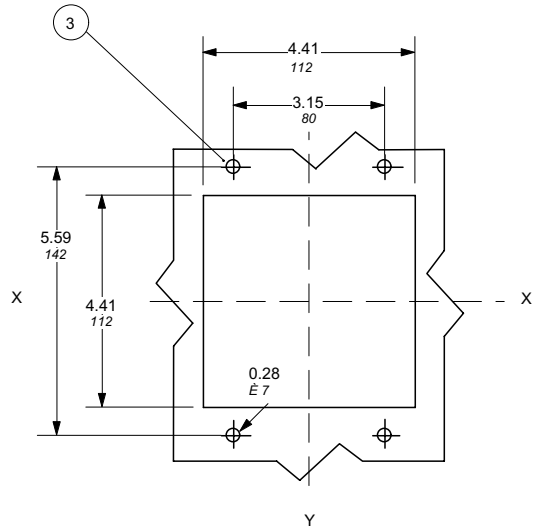
Approximate dimensions S3 - S4 Motor operator w/ plug-in front

Isomax
MCCBs

00.00 Inches
00.00 [Millimeters]

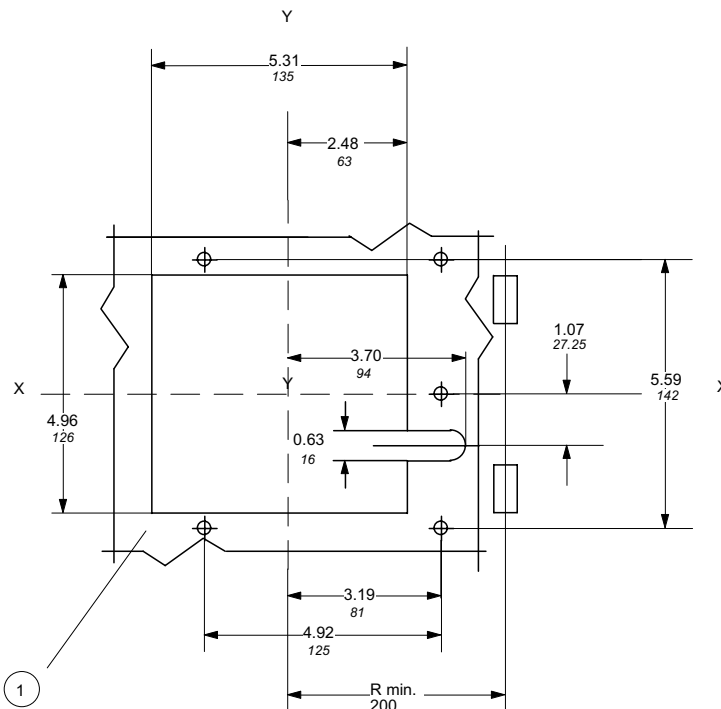
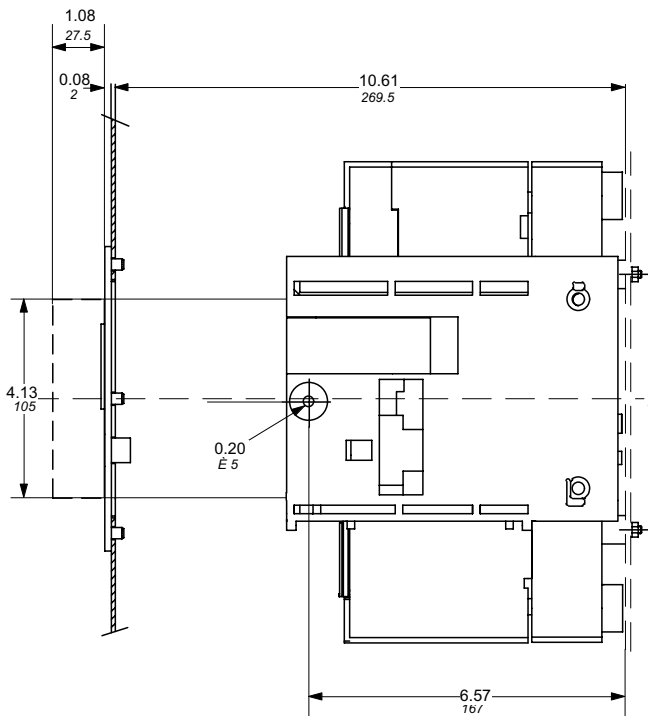
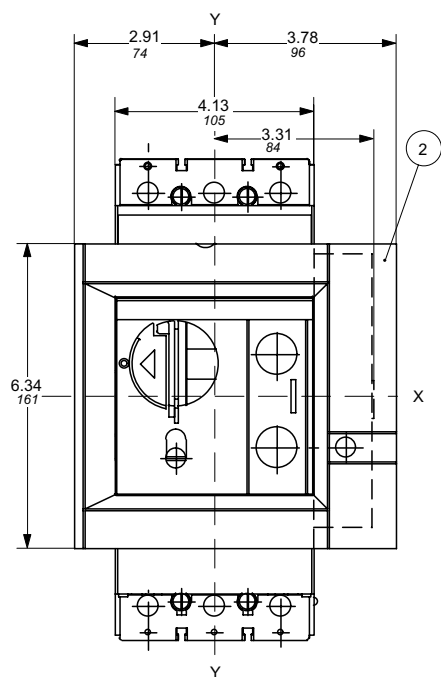


LEGEND
1-FLANGE FOR THE COMPARTMENT DOOR
2-PLUG FOR MOTOR OPERATOR
3-DRILLING TEMPLATE



Approximate dimensions S3 - S4 Motor operator w/ withdrawable

00.00 Inches
00.00 [Millimeters]



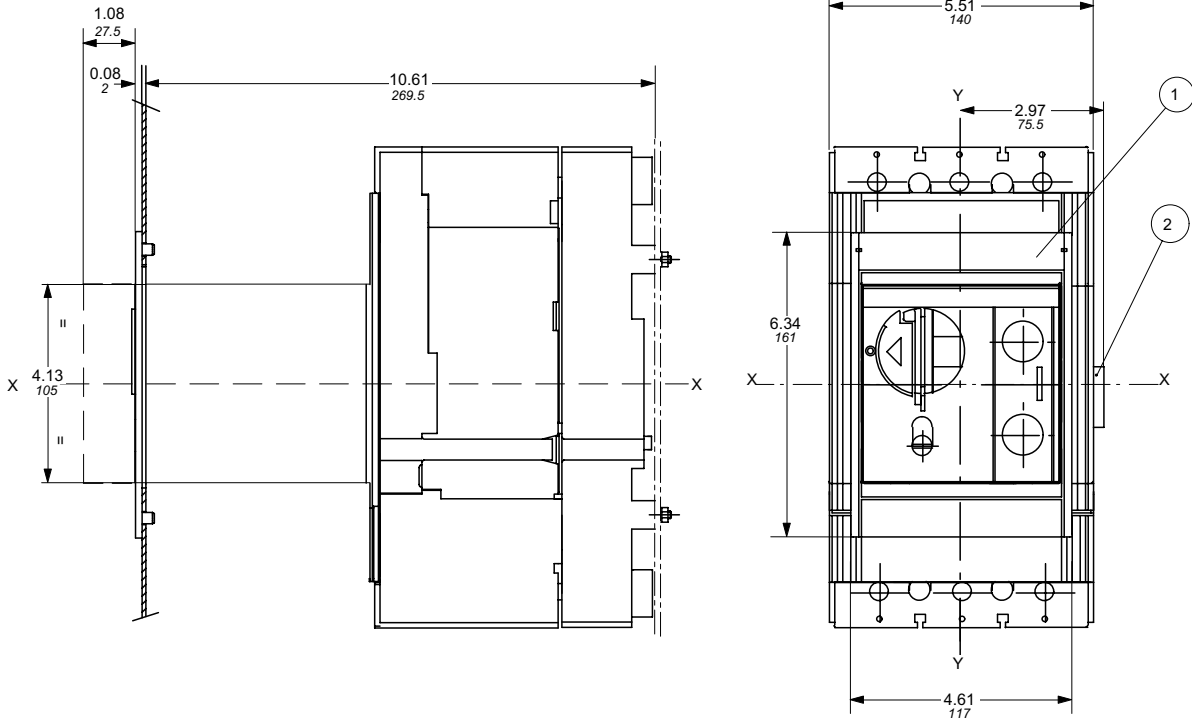
LEGEND

- 1-MOUNTING HOLES FOR FRONT FLANGE
- 2-FLANGE FOR THE COMPARTMENT DOOR

Approximate dimensions S5 Motor operator w/ plug-in

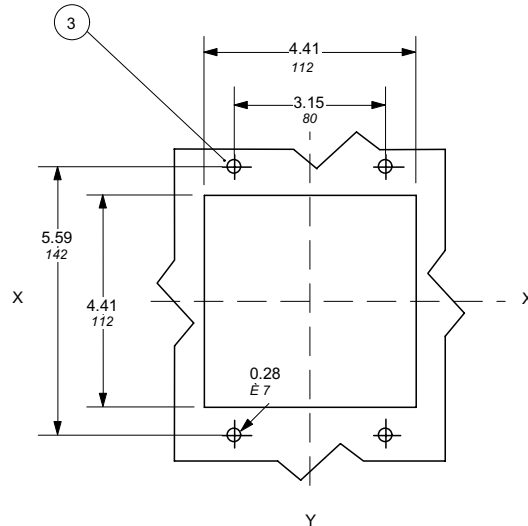
Isomax
MCCBs

00.00 Inches
00.00 [Millimeters]



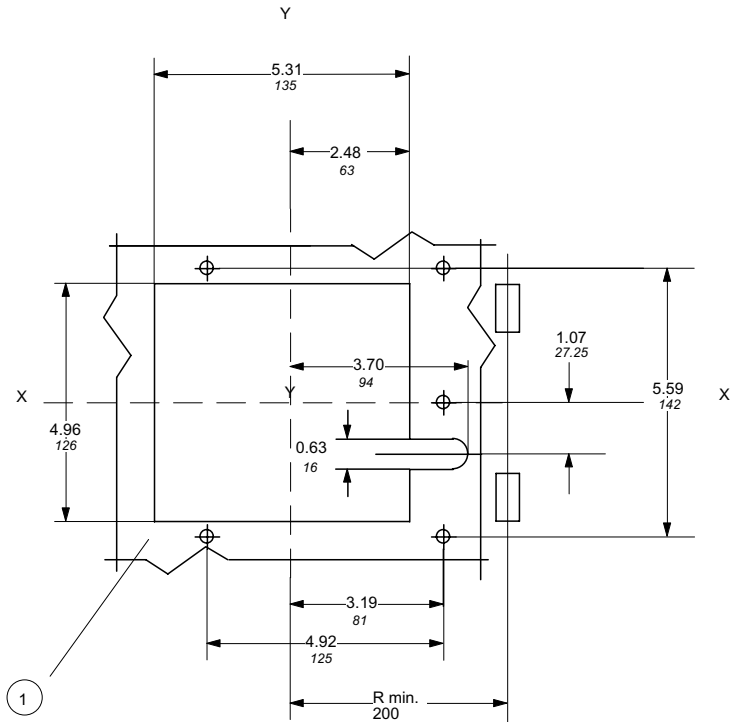
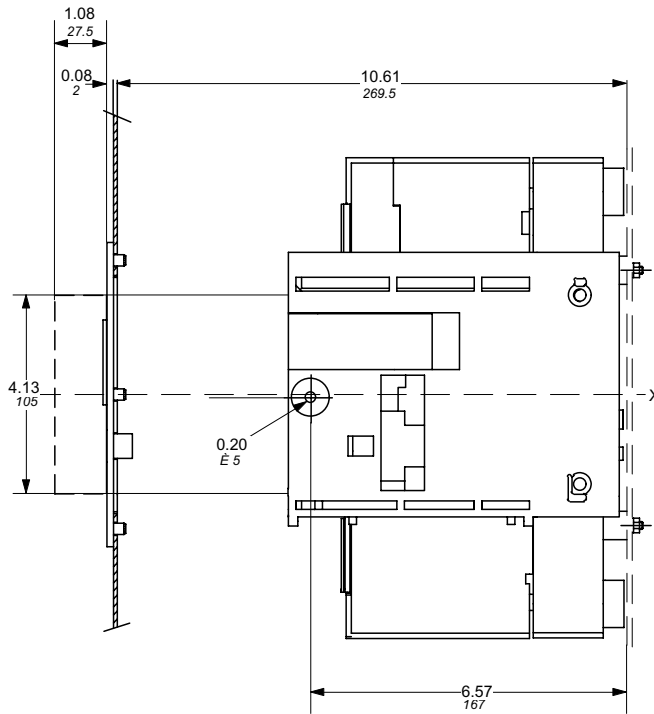
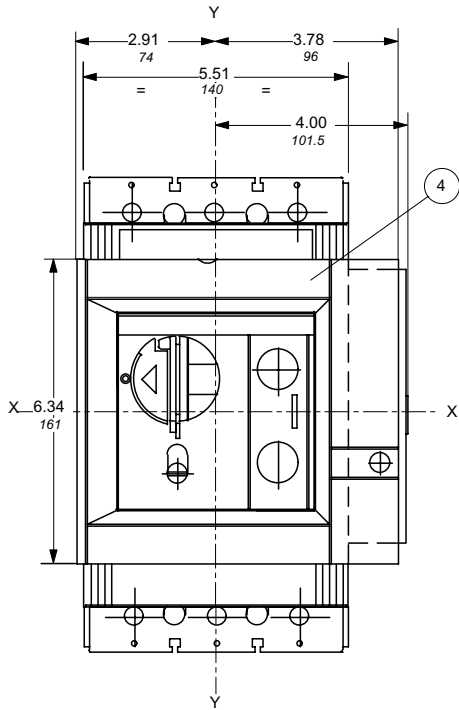
LEGEND

- 1-FLANGE FOR THE COMPARTMENT DOOR
- 2-PLUG FOR MOTOR OPERATOR
- 3-DRILLING TEMPLATE



**Approximate dimensions
S5 Motor operator w/ withdrawable**

← 00.00 → Inches
00.00 [Millimeters]

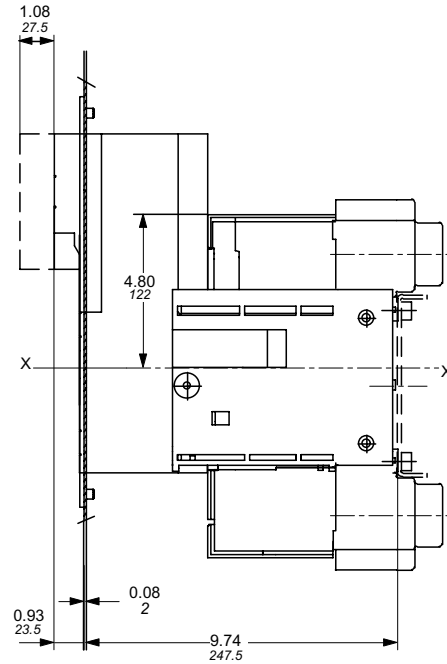
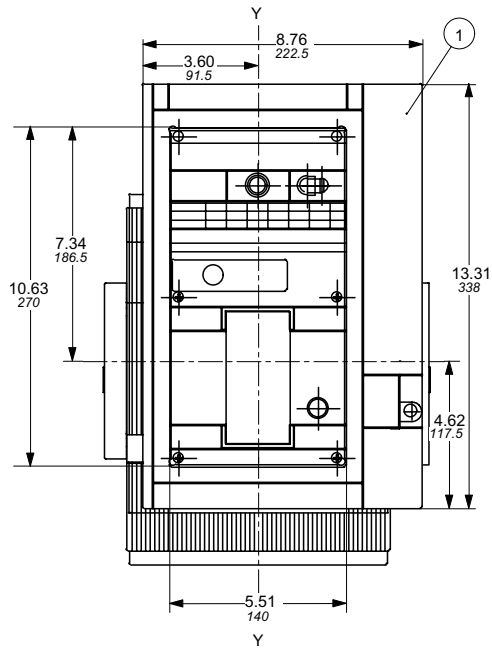


LEGEND
1-MOUNTING HOLES FOR FRONT FLANGE
2-FLANGE FOR THE COMPARTMENT DOOR

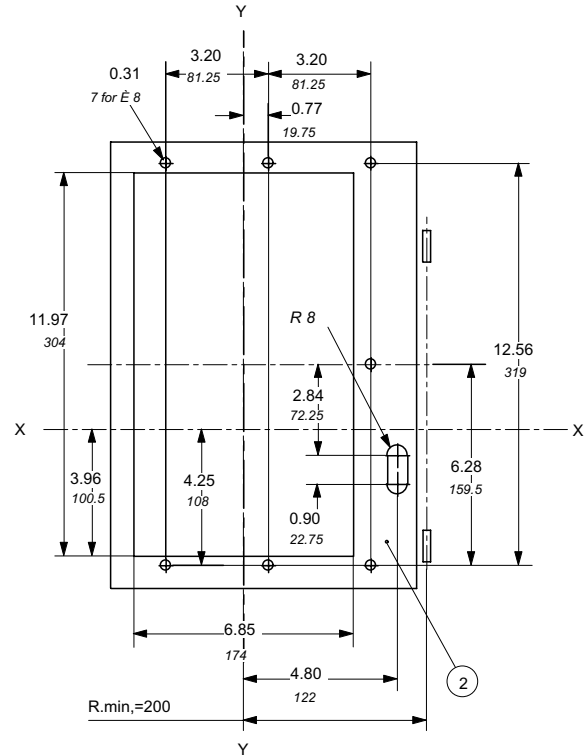
Approximate dimensions S6 Motor operator w/ withdrawable

Isomax
MCCBs

00.00 Inches
00.00 [Millimeters]

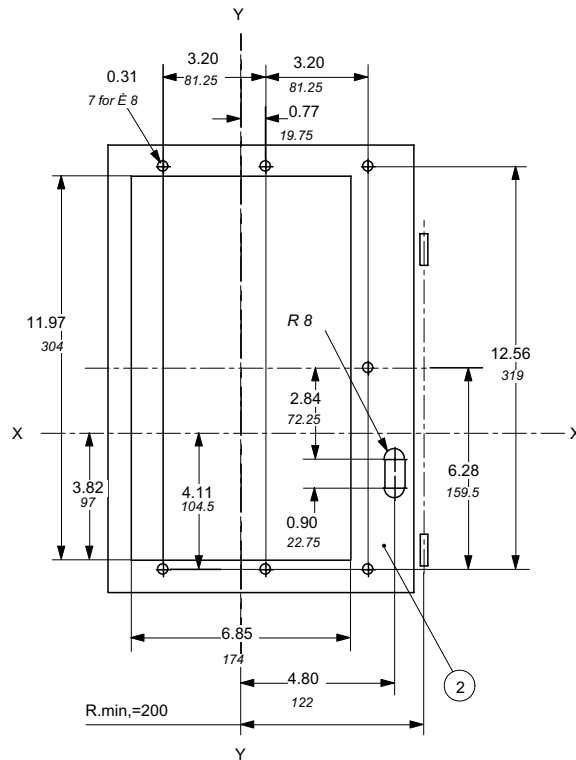
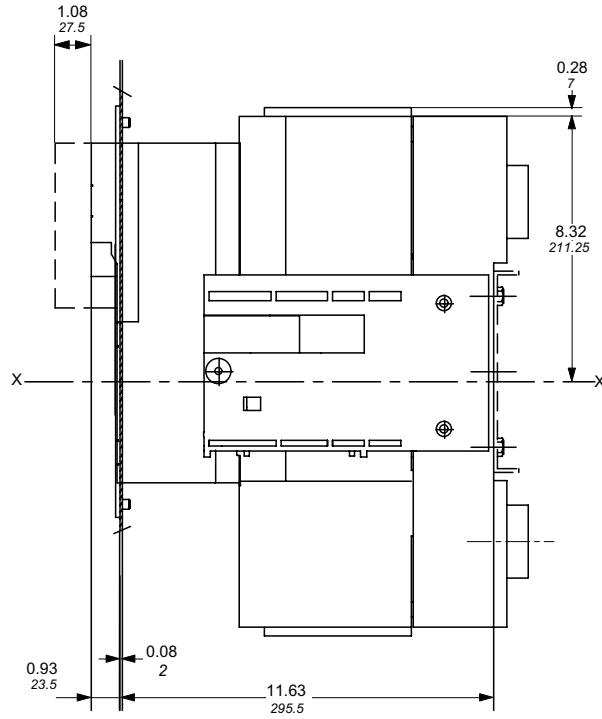
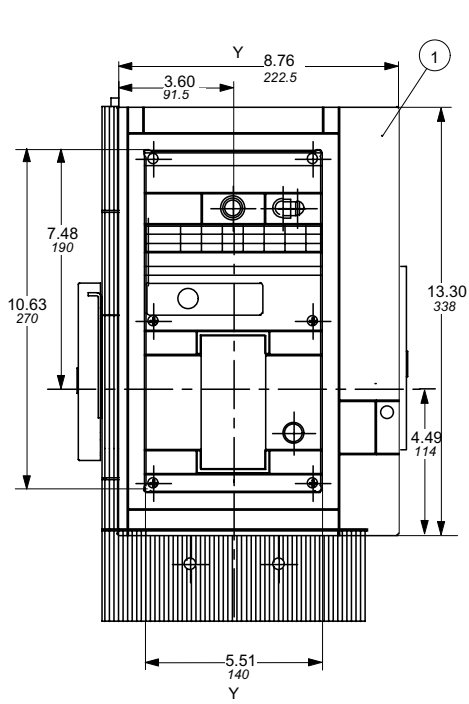


LEGEND
1-FLANGE FOR THE COMPARTMENT DOOR
2-DRILLING TEMPLATE



Approximate dimensions S7 Motor operator w/ withdrawable

00.00 Inches
00.00 [Millimeters]



LEGEND

- 1-FLANGE FOR THE COMPARTMENT DOOR
- 2-DRILLING TEMPLATE