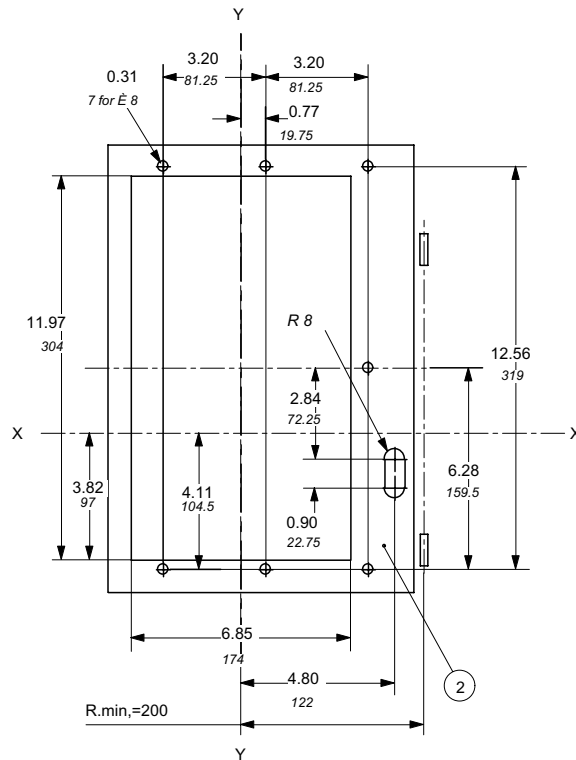
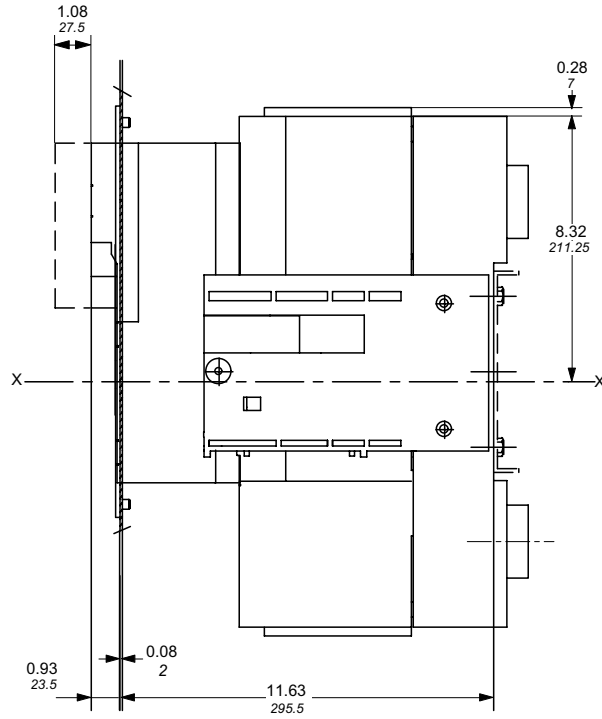
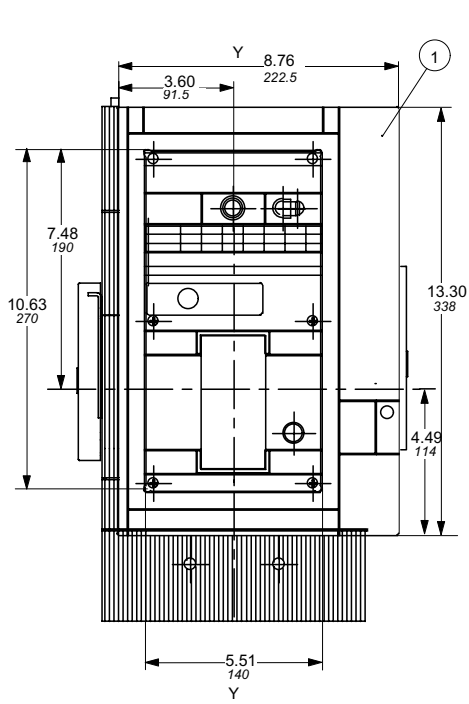


## Approximate dimensions S7 Motor operator w/ withdrawable

00.00 Inches  
00.00 [Millimeters]



**LEGEND**

- 1-FLANGE FOR THE COMPARTMENT DOOR
- 2-DRILLING TEMPLATE