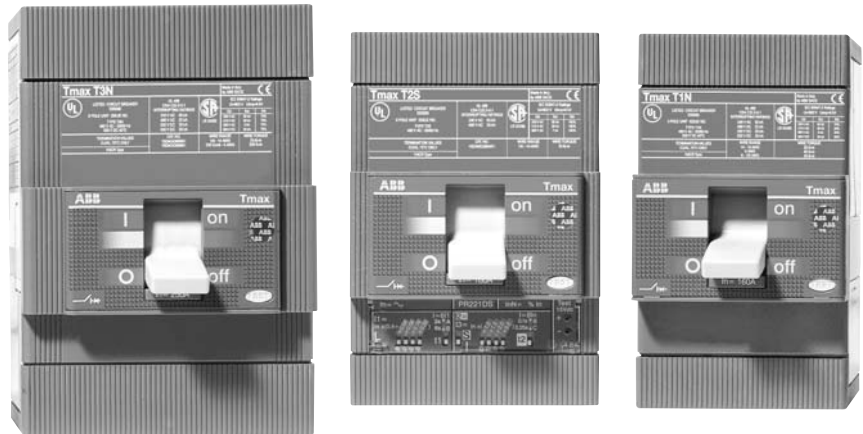


Tmax Molded case circuit breakers

ABB Tmax Molded case circuit breakers



Introduction

ABB is once again demonstrating its commitment to new product development and its superiority in product performance. Never before has the industry seen such high performance, versatility and standardization in a range of molded case circuit breakers.

The ABB Tmax has been developed to complement the performance-proven Isomax line of circuit breakers. This new breaker, with a range up to 225A, has several very big features that go along with its very small size:

- Double insulation – this construction characteristic allows for the UL Listed field installation of internal accessories without exposure to the power poles.
- Positive operation – all molded case breakers from ABB ensure that the toggle indicates the precise position of the moving contacts. This guarantees safe and reliable signaling by the device.
- Installation – Tmax T1, T2 and T3 can be installed in panels and switchboards in either the horizontal or vertical planes while being fed from either end without any derating of their performance characteristics.
- Range of accessories – in the pursuit of standardization, all Tmax internal and external accessories can be utilized across the entire range from 10A to 225A.
- Interrupt ratings from 22kAIC at 480VAC up to 65kAIC.
- Standard depth – all three frames are 2.76 inches deep
- UL Listed and IEC rated for global application and acceptance.

The ABB Tmax has the performance and accessories to satisfy all industry requirements in the 480VAC to 500VDC ranges. A single pole molded case version is available for the first time. Standardized sizing and accessories make it easy to design and install these items in all applications.

Frame sizes — three basic sizes

The ABB Tmax series includes three basic frame sizes as well as the T1 single pole with the range rated from 10A to 225A at 480VAC. The various versions carry the following interrupting capacities:

- **B** basic breaking capacity
- **N** normal breaking capacity
- **S** standard breaking capacity
- **H** high breaking capacity

Derived versions

- T2 circuit breakers with LS/I electronic trip units
- Switch disconnectors in T1 and T3 frames
- Circuit breakers for motor circuit protection (MCPs)
- Circuit breakers for direct current

ABB Tmax versions

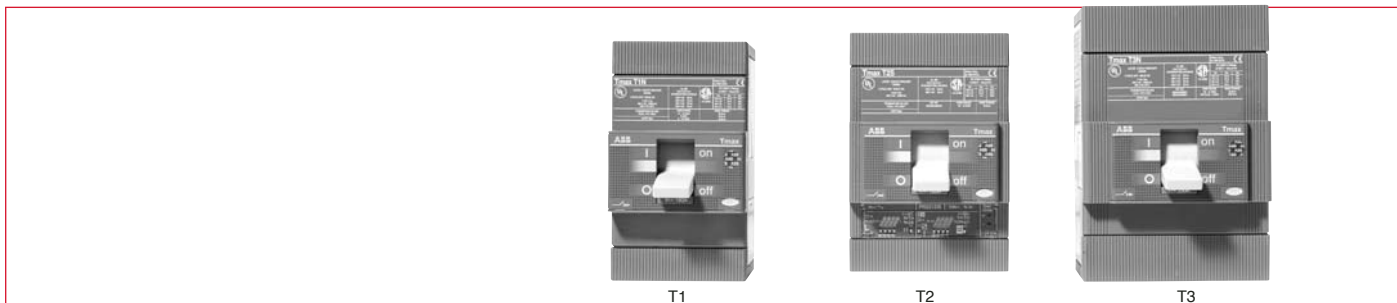
- Fixed: all models
- Plug-in: T2 & T3 UL
- UL File #E93565 (breakers and MCPs)
#E116596 (Accessories)
#E116595 (Molded case switches)

15

General information

Selection guide

T1 – T3



Circuit-breaker type			T1		T2		T3	
Maximum frame continuous rated current	40°C	A	100		100		225	
Rated operational voltage	50/60 Hz	V	480		480		480	
Test voltage	1 min. 50/60 Hz	V	3000		3000		3000	
Rated impulse withstand voltage		kV	6		6		6	
Poles		No.	1-3		2-3-4		2-3-4	
Performance level			B (1P)	N	S	H	N	S
UL/CSA short-circuit interrupting capacity UL 489, File #E93565 CSA, File #LR90467	240VAC	kA RMS	—	50	65	100	50	65
	277VAC	kA RMS	18	—	—	—	—	—
	480VAC	kA RMS	—	22	35	65	25	35
	250VDC ①	kA RMS	—	25	—	—	25	25
CSA, File #LR90467	500VDC ①	kA RMS	—	25	—	—	35	35
IEC-947 rated ultimate short circuit breaking capacity Icu	220/230VAC	kA RMS	25	50	85	100	50	85
	300/400/415VAC	kA RMS	—	36	50	70	36	50
	440VAC	kA RMS	—	22	45	55	25	40
	500VAC	kA RMS	—	15	30	36	20	30
	660/690VAC	kA RMS	—	6	7	8	5	8
Overcurrent trip unit/relays								
Thermal-magnetic			•		•		•	
Microprocessor-based			—		•		—	
Version — Terminals								
Fixed — front or rear			•		•		•	
Plug-in — front or rear (IEC)			—		•		•	
Dimensions (fixed circuit-breaker)								
2P & 3P (H x W x D)		in	5.12 x 3.00 x 2.76		5.12 x 3.54 x 2.76		5.9 x 4.13 x 2.76	
4P (H x W x D)		in	5.12 x 4.00 x 2.76		5.12 x 4.72 x 2.76		5.9 x 5.51 x 2.76	
Mechanical duration								
Operations		No.	25,000		25,000		25,000	
Frequency		ops./hour	240		240		120	
Weights (Fixed 3P)								
		lbs	1.98		2.43		4.63	

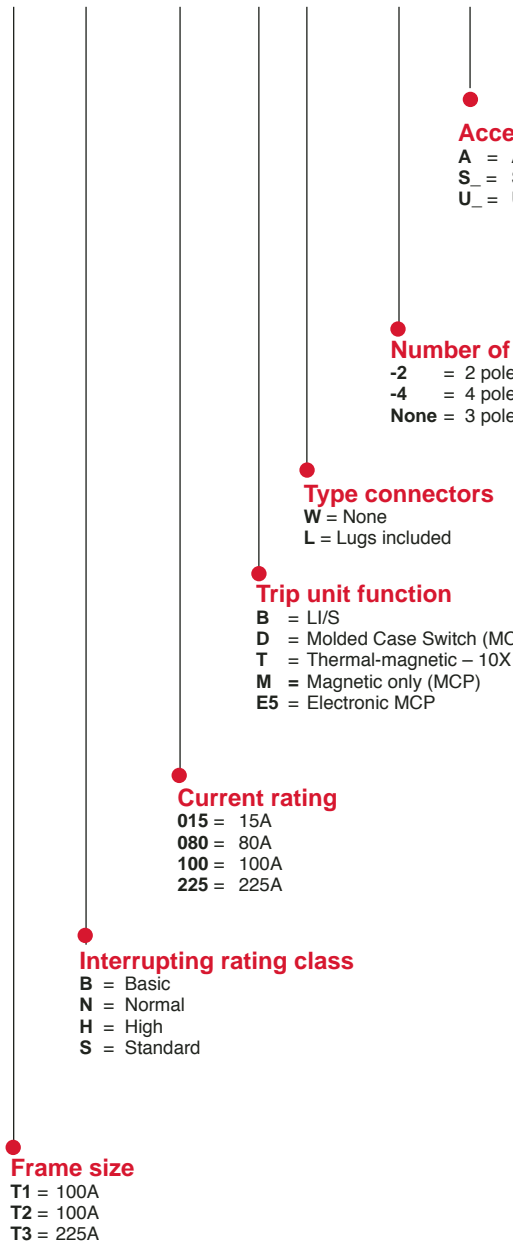
① For use with thermal-magnetic trip only:
250VDC, 2 poles in series
500 VDC, 3 poles in series

General information

Catalog number explanation

Tmax
MCCBs

T3 H 080 T W - 2 xxx



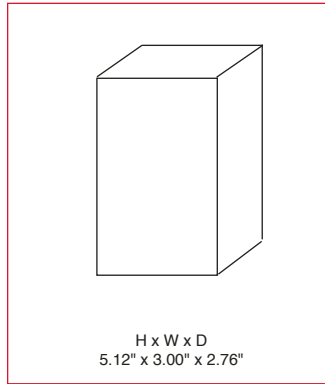
① Consult ABB for factory installed accessories.



T1

100A, 480V

Standard thermal-magnetic



General

The T1 breaker family ranges from 15 through 100 amperes. The T1 trip units are non-interchangeable and use the very latest technology in electromagnetic relays for overcurrent trip protection. Thermal overload protection is provided by heat sensitive bimetals. Short circuit protection for the breaker is accomplished using a precise magnetic coil. State of the art construction in contacts and arcing chambers aid in limiting damaging fault currents through the protected circuits.

Versions

The T1 frame is available in two versions:

- T = Thermal-magnetic, fixed
- D = Molded case switch

Performance levels

The T1 breaker has two performance levels available:

- B = 277V Single pole
- N = 480V Three pole

Number of poles

The UL/CSA version of the T1 is available in single, three and four pole versions. IEC versions of the T1 are also available with the same dimensions up to 160 amperes.

Accessory mounting

The T1 frame is double insulated allowing for UL/CSA factory or field installation of internal accessories. No extra control cables are required for field installation. Shunt trips or UVR's mount in the left cavity and auxiliary contacts with bell alarm mount in the right cavity.

Reverse feeding

All versions of the T1 family are suitable for reverse feed applications.

Molded case switches

UL489 switches include no overcurrent protection except for a high instantaneous trip mechanism for self protection.

UL489 / CSA C22.2 Interrupting capacity (kA RMS)

Voltage	Continuous rating	B (1 pole)	N
240VAC	15 – 100A	—	50
277VAC	15A	10	—
	20 – 100A	18	—
480VAC	15A	—	14
	20 – 100A	—	22
250VDC 2 pole series	15 – 100A	—	25
500VDC 3 pole series	15 – 100A	—	25

IEC-947 Interrupting capacity (kA RMS)

Voltage	Continuous rating	B (1 pole)	N
230V	15 – 100A	25	50
415V	15 – 100A	—	36
440V	15 – 100A	—	22
500V	15 – 100A	—	15
690V	15 – 100A	—	6
250VDC 2 pole series	15 – 100A	—	36
500VDC 3 pole series	15 – 100A	—	36

T1

100A, 480V

Standard thermal-magnetic



T1N TMF

Breaker	IC at 480VAC	Rating	Magnetic trip	3 pole, 480VAC/500VDC catalog number	List price
T1N	14kA	15A	1000A	T1N015TL ^①	\$ 402
		20A	1000A	T1N020TL	402
	22kA	25A	1000A	T1N025TL	402
		30A	1000A	T1N030TL	402
		40A	1000A	T1N040TL	402
		50A	1500A	T1N050TL	402
		60A	1500A	T1N060TL	402
		70A	1500A	T1N070TL	479
		80A	1500A	T1N080TL	479
		90A	1500A	T1N090TL	479
		100A	1500A	T1N100TL	479

T1B TMF — Single pole

Breaker	IC at 277VAC	Rating	Magnetic trip	1 pole, 277VAC catalog number	List price
T1B	18kA	15A	1000A	T1B015TL-1	\$ 230
		20A	1000A	T1B020TL-1	230
		25A	1000A	T1B025TL-1	230
		30A	1000A	T1B030TL-1	230
		40A	1000A	T1B040TL-1	230
		50A	1500A	T1B050TL-1	230
		60A	1500A	T1B060TL-1	230
		70A	1500A	T1B070TL-1	262
		80A	1500A	T1B080TL-1	262
		90A	1500A	T1B090TL-1	262
		100A	1500A	T1B100TL-1	262

T1N-D — Molded case switch

Breaker	Interrupting capacity ^②	Rating	Magnetic trip	480VAC/500VDC catalog number	List price
T1-D	240V, 50kA	100A	1000A	T1N100DL	\$ 431

^① Rated 277/480Y for 15A.
^② With fuse or MCCB protected circuit.



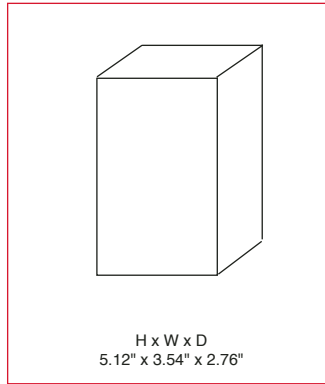
T2

100A, 480V

Thermal-magnetic/electronic



T2



H x W x D
5.12" x 3.54" x 2.76"

General

The T2 breaker family ranges from 10 through 100 amperes. The T2 trip units are non-interchangeable and use the very latest technology in electromagnetic relays for overcurrent trip protection as well as a version with microprocessor-based electronic trip unit. Thermal overload protection is provided by heat sensitive bimetals. State of the art construction in contacts and arcing chambers aid in limiting damaging fault currents through the protected circuits.

Versions

The T2 frame is available in four versions:

- T = Thermal-magnetic, fixed
- B = Adjustable LS/I electronic
- M = Magnetic only (MCP)
- E5 = Electronic instantaneous only (MCP)

Trip functions

These tripping functions are available:

- L = Long time
- S = Short time
- I = Instantaneous

Performance levels

The T2 breaker has two performance levels available:

- S = Standard
- H = High

Number of poles

The UL/CSA version of the T2 is available in two, three and four pole versions. IEC versions of the T2 are also available with the same dimensions up to 160 amperes.

Accessory mounting

The T2 frame is double insulated allowing for UL/CSA factory or field installation of internal accessories. No extra control cables are required for field installation. Shunt trips or UVR's mount in the left cavity and auxiliary contacts with bell alarm mount in the right cavity.

Reverse feeding

All versions of the T2 family are suitable for reverse feed applications.

UL489 / CSA C22.2 Interrupting capacity (kA RMS)

Voltage	Continuous rating	S	H
240VAC	15 – 100A	65	100
480VAC	15 – 100A	35	65

IEC-947 Interrupting capacity (kA RMS)

Voltage	Continuous rating	S	H
230V	15 – 100A	85	100
415V	15 – 100A	50	70
440V	15 – 100A	45	55
500V	15 – 100A	30	36
690V	15 – 100A	7	8
250VDC 2 pole series	15 – 100A	50	70
500VDC 3 pole series	15 – 100A	50	70

15

T2

100A, 480V

Thermal-magnetic/electronic



T2 — 100A TMF

Breaker	IC at 480VAC	Rating	Magnetic trip	2 pole, 480VAC catalog number	List price	3 pole, 480VAC catalog number	List price
T2S	35kA	15A	500A	T2S015TW-2	Price & availability to be announced	T2S015TW	\$ 575
		20A	500A	T2S020TW-2		T2S020TW	575
		25A	500A	T2S025TW-2		T2S025TW	575
		30A	500A	T2S030TW-2		T2S030TW	575
		40A	500A	T2S040TW-2		T2S040TW	575
		50A	500A	T2S050TW-2		T2S050TW	575
		60A	600A	T2S060TW-2		T2S060TW	575
		70A	700A	T2S070TW-2		T2S070TW	661
		80A	800A	T2S080TW-2		T2S080TW	661
		90A	900A	T2S090TW-2		T2S090TW	661
		100A	1000A	T2S100TW-2		T2S100TW	661

Breaker	IC at 480VAC	Rating	Magnetic trip	2 pole, 480VAC catalog number	List price	3 pole, 480VAC catalog number	List price
T2H	65kA	15A	500A	T2H015TW-2	Price & availability to be announced	T2H015TW	\$ 785
		20A	500A	T2H020TW-2		T2H020TW	785
		25A	500A	T2H025TW-2		T2H025TW	785
		30A	500A	T2H030TW-2		T2H030TW	785
		40A	500A	T2H040TW-2		T2H040TW	785
		50A	500A	T2H050TW-2		T2H050TW	785
		60A	600A	T2H060TW-2		T2H060TW	785
		70A	700A	T2H070TW-2		T2H070TW	961
		80A	800A	T2H080TW-2		T2H080TW	961
		90A	900A	T2H090TW-2		T2H090TW	961
		100A	1000A	T2H100TW-2		T2H100TW	961

T2 — 100A frame electronic trip unit

Breaker	IC at 480VAC	Trip unit type	CT rating	2 pole, 480VAC catalog number	List price	3 pole, 480VAC catalog number	List price
T2S	35kA	PR221DS-LS/I	25A	T2S025BW-2	Price & availability to be announced	T2S025BW	\$ 1033
			60A	T2S060BW-2		T2S060BW	1033
			100A	T2S100BW-2		T2S100BW	1119
T2H	65kA	PR221DS-LS/I	25A	T2H025BW-2	Price & availability to be announced	T2H025BW	1243
			60A	T2H060BW-2		T2H060BW	1243
			100A	T2H100BW-2		T2H100BW	1419

T2 — 100A frame magnetic only (MCP)

Breaker	IC at 480VAC	Trip unit type	Rating	Adjustment range	3 pole, 480VAC catalog number	List price
T2S	35kA	Mag only	20A	120 - 240	T2S020MW	\$ 498
			50A	300 - 600	T2S050MW	558
			100A	600 - 1200	T2S100MW	670
T2H	65kA	Mag only	20A	120 - 240	T2H020MW	561
			50A	300 - 600	T2H050MW	628
			100A	600 - 1200	T2H100MW	753

T2 — 100A frame instantaneous only, electronic (MCP)

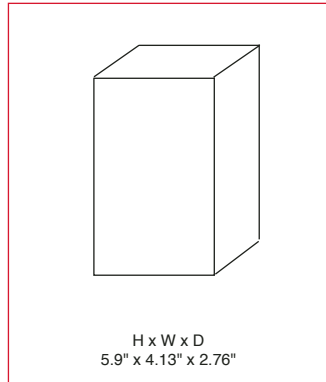
Breaker	IC at 480VAC	Trip unit type	Rating	Adjustment range	3 pole, 480VAC catalog number	List price
T2S	35kA	Instantaneous only	25A	25 - 250	T2S025E5W	Price & availability to be announced
			60A	60 - 600	T2S060E5W	
			100A	100 - 1000	T2S100E5W	
T2H	65kA	Instantaneous only	25A	25 - 250	T2H025E5W	Price & availability to be announced
			60A	60 - 600	T2H060E5W	
			100A	100 - 1000	T2H100E5W	



T3

225A, 480V

Standard thermal-magnetic



General

The T3 breaker family ranges from 60 through 225 amperes. The T3 trip units are non-interchangeable and use the very latest technology in electromagnetic relays for overcurrent trip protection. Thermal overload protection is provided by heat sensitive bimetals. Short circuit protection begins at 10 times the thermal rating of the breaker using a precise magnetic coil. State of the art construction in contacts and arcing chambers aid in limiting damaging fault currents through the protected circuits.

Versions

The T3 frame is available in three versions:

- T = Thermal-magnetic, fixed
- M = Magnetic only (MCP)
- D = Molded case switch

Performance levels

The T3 breaker has two performance levels available:

- N = Normal
- S = Standard

Number of poles

The UL/CSA version of the T3 is available in two, three and four pole versions. IEC versions of the T3 are also available with the same dimensions up to 250 amperes.

Accessory mounting

The T3 frame is double insulated allowing for UL/CSA factory or field installation of internal accessories. No extra control cables are required for field installation. Shunt trips or UVR's mount in the left cavity and auxiliary contacts with bell alarm mount in the right cavity.

Reverse feeding

All versions of the T3 family are suitable for reverse feed applications.

Molded case switches

UL489 switches include no overcurrent protection except for a high instantaneous trip mechanism for self protection.

UL489 / CSA C22.2 Interrupting capacity (kA RMS)

Voltage	Continuous rating	N	S
240VAC	60 – 225A	50	65
480VAC	60 – 225A	25	35
250VDC 2 pole series	60 – 225A	25	35
500VDC 3 pole series	60 – 225A	25	35

IEC-947 Interrupting capacity (kA RMS)

Voltage	Continuous rating	N	S
230V	60 – 225A	50	85
415V	60 – 225A	36	50
440V	60 – 225A	25	40
500V	60 – 225A	20	30
690V	60 – 225A	5	8
250VDC 2 pole series	60 – 225A	36	50
500VDC 3 pole series	60 – 225A	36	50

T3

225A, 480V

Standard thermal-magnetic



T3 — 225A Frame TMF

Breaker	IC at 480VAC	Rating	Magnetic trip	3 pole, 480VAC/500VDC catalog number	List price
T3N	25kA	60A	600A	T3N060TW	\$ 406
		70A	700A	T3N070TW	489
		80A	800A	T3N080TW	489
		90A	900A	T3N090TW	489
		100A	1000A	T3N100TW	489
		125A	1250A	T3N125TW	1034
		150A	1500A	T3N150TW	1034
		175A	1750A	T3N175TW	1034
		200A	2000A	T3N200TW	1034
		225A	2250A	T3N225TW	1034

Breaker	IC at 480VAC	Rating	Magnetic trip	3 pole, 480VAC/500VDC catalog number	List price
T3S	35kA	60A	600A	T3S060TW	\$ 523
		70A	700A	T3S070TW	641
		80A	800A	T3S080TW	641
		90A	900A	T3S090TW	641
		100A	1000A	T3S100TW	641
		125A	1250A	T3S125TW	1430
		150A	1500A	T3S150TW	1430
		175A	1750A	T3S175TW	1430
		200A	2000A	T3S200TW	1430
		225A	2250A	T3S225TW	1430

T3 — 225A frame magnetic only, (MCP)

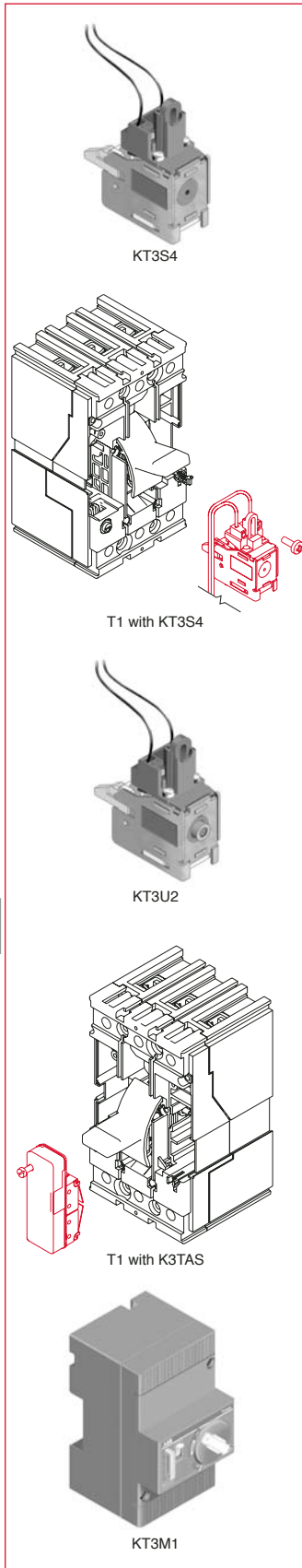
Breaker	IC at 480VAC	Trip unit type	Rating	Adjustment range	3 pole, 480VAC catalog number	List price
T3S	35kA	Mag only	100A	600 - 1200	T3S100MW	\$ 711
			125A	750 - 1500	T3S125MW	734
			150A	900 - 1800	T3S150MW	860
			200A	1200 - 2400	T3S200MW	915

T3S-D — Molded case switch

Breaker	Interrupting capacity	Rating	Magnetic trip	2 pole, 480VAC/500VDC catalog number	List price
T3S-D	240V, 65kA ①	150A	1500A	T3S150DW	\$ 714
	480V, 35kA	225A	2250A	T3S225DW	1003

① With fuse or MCCB protected circuit.

Accessories Electrical



Shunt trips

Voltage	Factory installation		Field installation	
	Catalog number suffix ①	List price adder	Catalog number T1 – T3	List price
480 – 500VAC	S1	\$ 324	KT3S1	\$ 298
220/250VAC/DC	S2		KT3S2	
380 – 440VAC	S3		KT3S3	
110 – 125VAC/DC	S4		KT3S4	
48 – 60VAC/DC	S7		KT3S7	
24 – 30VAC/DC	S8		KT3S8	
12VDC	S9		KT3S9	

For remote opening of circuit breaker and includes internal cut-off switch to protect solenoid. All shunt trips are left pole mounted and can not be used with undervoltage releases. All shunt trips are approved for use in ground fault systems.

Electrical specifications

Voltage	AC VA	DC Watts
24, 120, 240	50	50
48 - 60	60	60
480 - 500	55	—

Undervoltage releases

Voltage	Factory installation		Field installation	
	Catalog number suffix ①	List price adder	Catalog number T1 – T3	List Price
480 – 500VAC	U1	\$ 324	KT3U1	\$ 298
220 – 250VAC/DC	U2		KT3U2	
380 – 440VAC	U3		KT3U3	
110 – 125VAC/DC	U4		KT3U4	
60VAC/DC	U5		KT3U5	
48VAC/DC	U7		KT3U7	
24 – 30VAC/DC	U8		KT3U8	

Will trip circuit breaker when connected voltage drops to 35 – 70% of undervoltage release voltage rating. Will allow circuit breaker to close (ON) when voltage is approximately 85% of rated voltage. All undervoltage releases are left pole mounted and can not be used with shunt trips.

Electrical specifications

Voltage	AC VA	DC Watts
24	1.5	1.5
48 - 60	1	1
120	2	2
220 - 250	2.5	2.5
480 - 500	4	—

Auxiliary contacts — T1 - T3

Contacts	Factory installation		Field installation	
	Catalog number suffix	List price adder	Catalog number	List Price
1 Form C + 1 BA	A	\$ 205	KT3AS	\$ 190
3 Form C + 1 BA	A3	262	KT3AS3	247

Motor operators

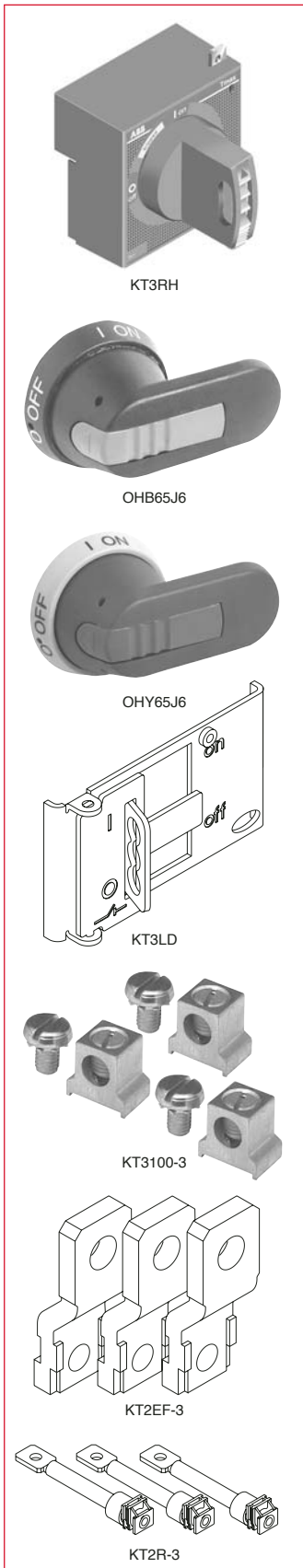
Voltage	Field installation	
	Catalog number	List Price
48 – 60VAC/DC	KT3M1	\$ 645
110 – 250VAC/DC	KT3M2	

Electrical specifications

Voltage range	Inrush power
85 - 110% rated voltage	2500VA / 1000W

① For factory installation add suffix given to end of circuit breaker catalog number per accessory format.

Accessories Mechanical



Direct mount rotary operator handle

	Catalog number	List price
Direct mount rotary	KT3RH	\$ 146

Variable depth rotary handles

Frame	Mechanism catalog number	List price	Shaft catalog number	List price	Handle catalog number	List price
NEMA 1, 3R, 12						
Tmax	KT3VD-M	\$ 72	OXp6X430 ①	\$ 28	OHY65J6 ① OHB65J6 ①	\$ 80
NEMA 4, 4X						
Tmax	KT3VD-M	72	OXp6X430 ①	28	OHY80L6 ① OHB80L6 ①	130
NEMA 1						
Tmax	KT3VD-M	72	KT3VD-S	35	KT3VD-H	87

Locking device

	Catalog number	List price
Locking device	KT3LD	\$ 21

Lugs

For breakers	Amps	Wire size	Set of 2 catalog number	List price	Set of 3 catalog number	List price	Set of 4 catalog number	List price
Standard cable lugs								
T2	100	14AWG-1/0	KT2100-2	\$ 6	KT2100-3	\$ 9	KT2100-4	\$ 12
T3	60	14AWG -2AWG	—	—	KT3060-3	9	KT3060-4	12
	100	14AWG -1/0	—	—	KT3100-3	9	KT3100-4	12
	150	2AWG-4/0	—	—	KT3150-3	12	KT3150-4	18
	225	4AWG-350kcmil	—	—	KT3225-3	18	KT3225-4	24

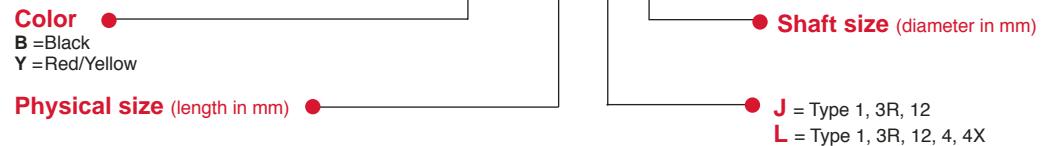
Extended front terminals

For breakers	Amps	Set of 3		Set of 4	
		Catalog number	List price adder	Catalog number	List Price
T2	100	KT2EF-3	\$ 26	KT2EF-4	\$ 35
T3	225	KT3EF-3	33	KT3EF-4	44

Rear terminals

For breakers	Amps	Set of 3		Set of 4	
		Catalog number	List price adder	Catalog number	List Price
T2	100	KT2R-3	\$ 78	KT2R-4	\$ 105
T3	225	KT3R-3	98	KT3R-4	131

OHB 65 J 6



① Use Discount Schedule H6.

Accessories Mechanical

DIN Rail mounting kits — 35mm DIN

For breakers	Catalog number	List price
T1 / T2	KT2DIN	\$ 33
T3	KT3DIN	41

Terminal covers for fixed breakers

For breakers	Low profile 3-pole		Low profile 4-pole	
	Catalog number	List price	Catalog number	List Price
T1	KT1LTC-3	\$ 35	KT1LTC-4	\$ 47
T2	KT2LTC-3	40	KT2LTC-4	54
T3	KT3LTC-3	50	KT3LTC-4	68

For breakers	High profile 3-pole		High profile 4-pole	
	Catalog number	List price	Catalog number	List Price
T1	KT1HTC-3	\$ 37	KT1HTC-4	\$ 50
T2	KT2HTC-3	43	KT2HTC-4	58
T3	KT3HTC-3	53	KT3HTC-4	72

Kit consists of two pieces.

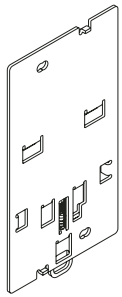
Plug-in kits for T2 and T3

For breakers	Moving part		Fixed part	
	Catalog number	List price	Catalog number	List Price
T2 — 3-Pole	KT2PMK	\$ 171	KT2PFF	\$ 238
T3 — 3-Pole	KT3PMK	190	KT3PFF	264

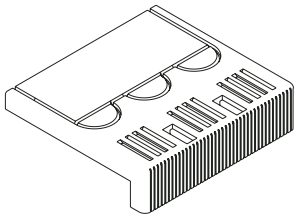
Fixed parts accept the same cable and rear terminal kits as the circuit breakers.

Sliding bar interlock — front mounted

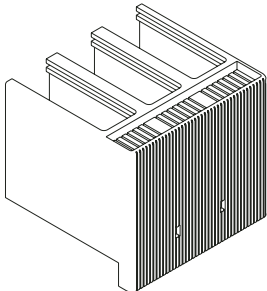
For breakers	For 2 breakers		For 3 breakers	
	Catalog number	List price	Catalog number	List Price
T1 – T3	KT3MIF2	\$ 452	KT3MIF3	\$ 904



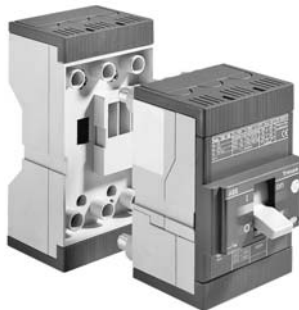
KT2DIN



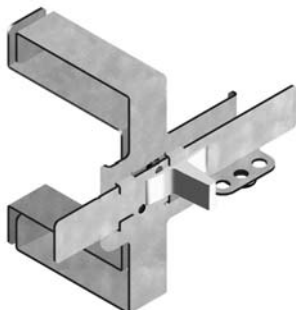
KT1LTC-3



KT1HTC-3



KT2PMK



KT3MIF2

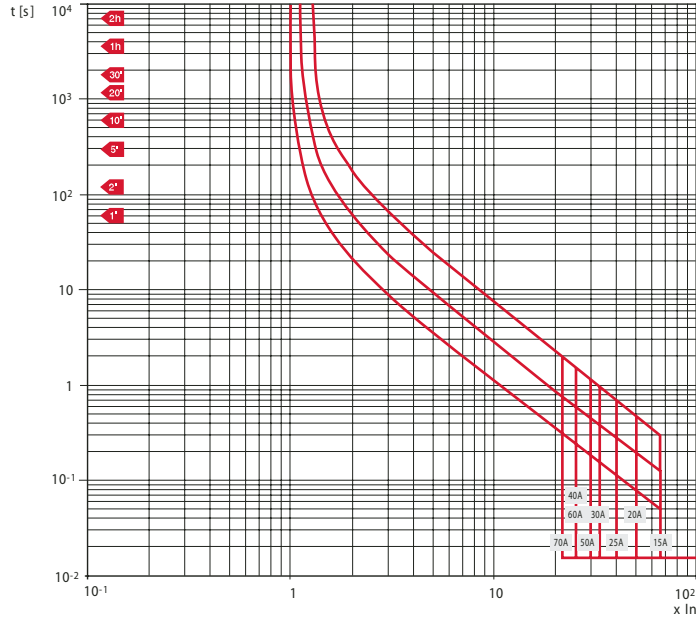
Technical data

Trip curves

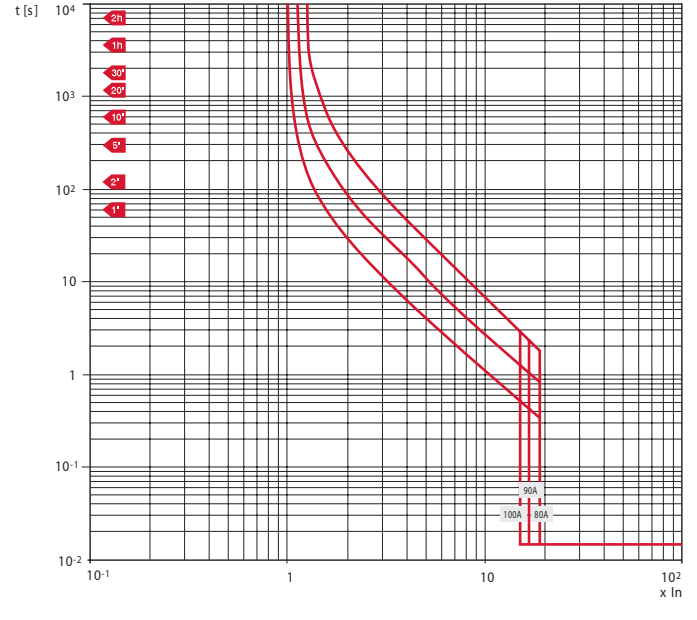
Tmax T1



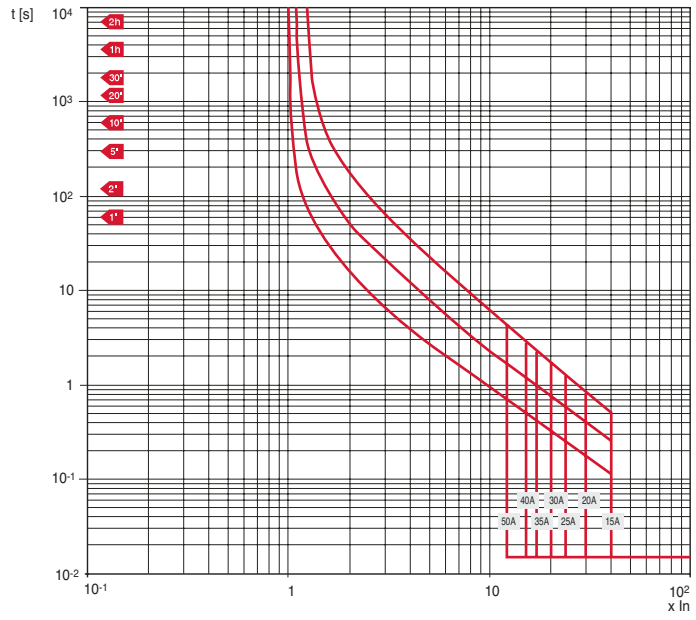
Tmax T1 100 TMF
In = 15 ... 70A



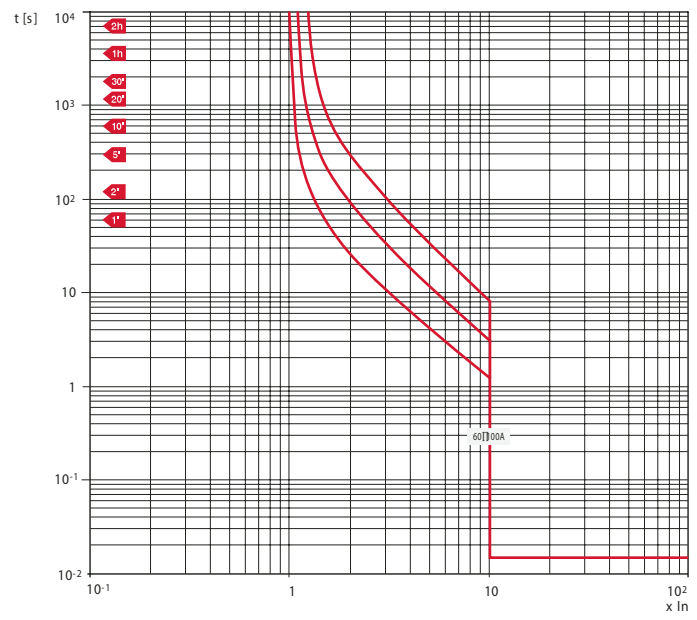
Tmax T1 100 TMF
In = 80 ... 100A



Tmax T2 100 TMF
In = 15 ... 50A



Tmax T2 100
In = 60 ... 100A

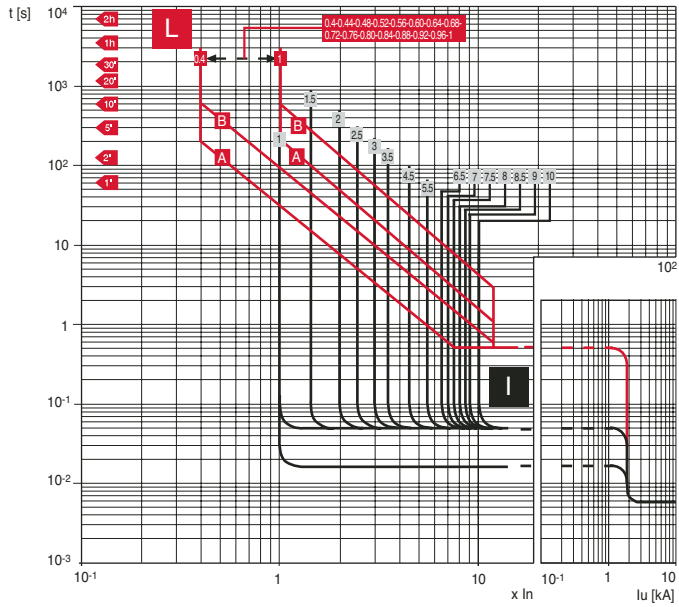


Technical data

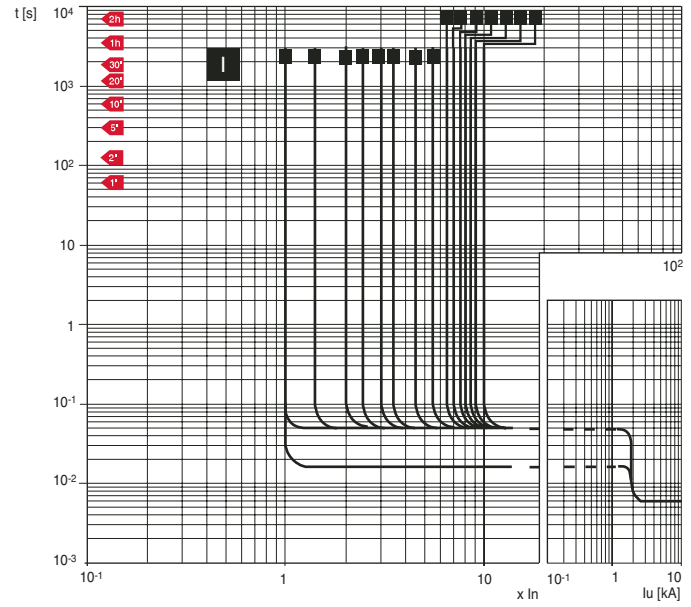
Trip curves

Tmax T2 & T3

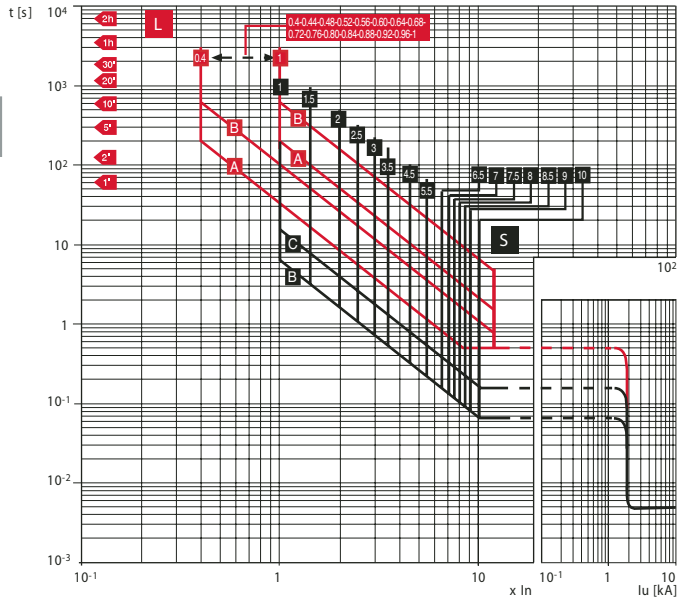
Tmax T2 100
PR221DS-LS, function L-I



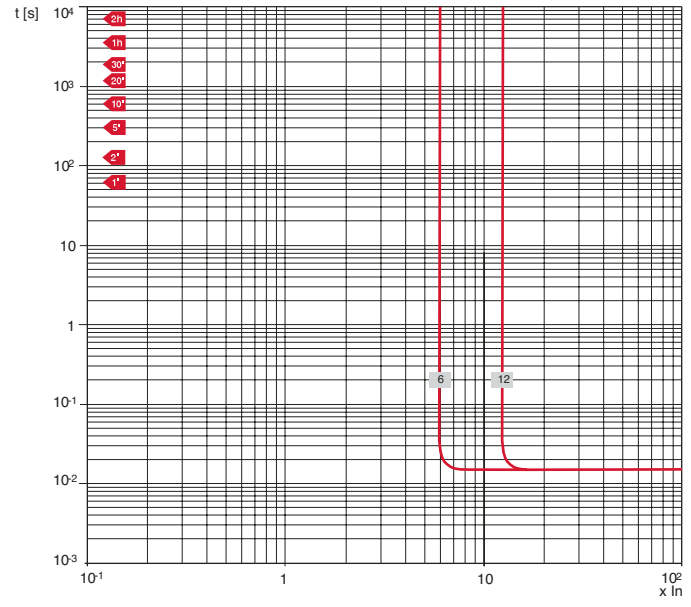
Tmax T2 100
PR221DS-I, function I



Tmax T2 100
PR221DS-LS, function L-S



Tmax T2 & T3 100 MCP
Magnetic only, adjustable



Technical data

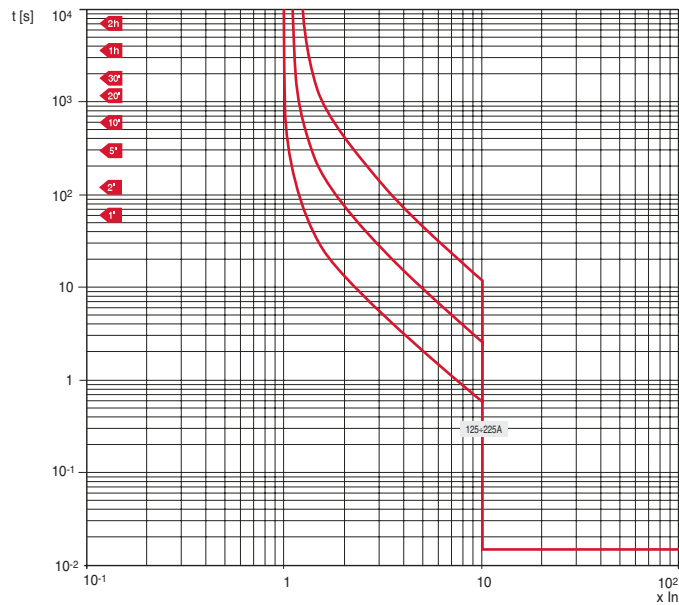
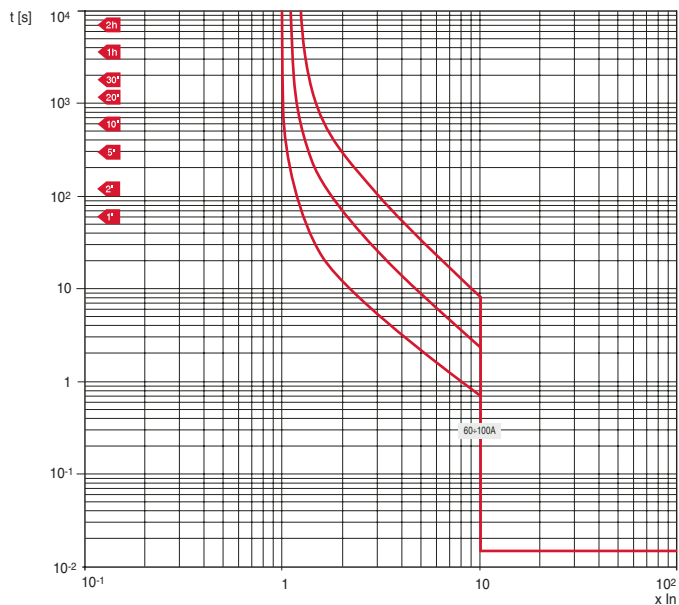
Trip curves

Tmax T3



Tmax T3 225 TMF
In = 60 ... 100A

Tmax T3 225 TMF
In = 125 ... 225A





Technical data

Temperature performances

Tmax T1 and T1 1P

In [A]	50 °F / 10 °C	68 °F / 20 °C	86 °F / 30 °C	104 °F / 40 °C	122 °F / 50 °C	140 °F / 60 °C
15	18	17	16	15	14	13
20	24	22	21	20	19	17
25	29	28	27	25	23	22
30	35	34	32	30	28	26
40	47	45	43	40	37	34
50	60	57	53	50	46	42
60	71	68	64	60	56	51
70	83	79	75	70	65	60
80	94	90	85	80	75	69
90	106	101	96	90	84	78
100	121	114	107	100	92	84

Tmax T2

In [A]	50 °F / 10 °C	68 °F / 20 °C	86 °F / 30 °C	104 °F / 40 °C	122 °F / 50 °C	140 °F / 60 °C
15	18	17	16	15	14	12
20	24	23	21	20	18	17
25	30	28	27	25	23	21
30	35	33	32	30	28	26
35	40	39	37	35	33	31
40	46	44	42	40	38	35
50	56	54	52	50	48	45
60	71	68	64	60	56	51
70	83	79	75	70	65	60
80	96	91	86	80	74	67
90	109	103	97	90	83	75
100	115	110	105	100	95	89

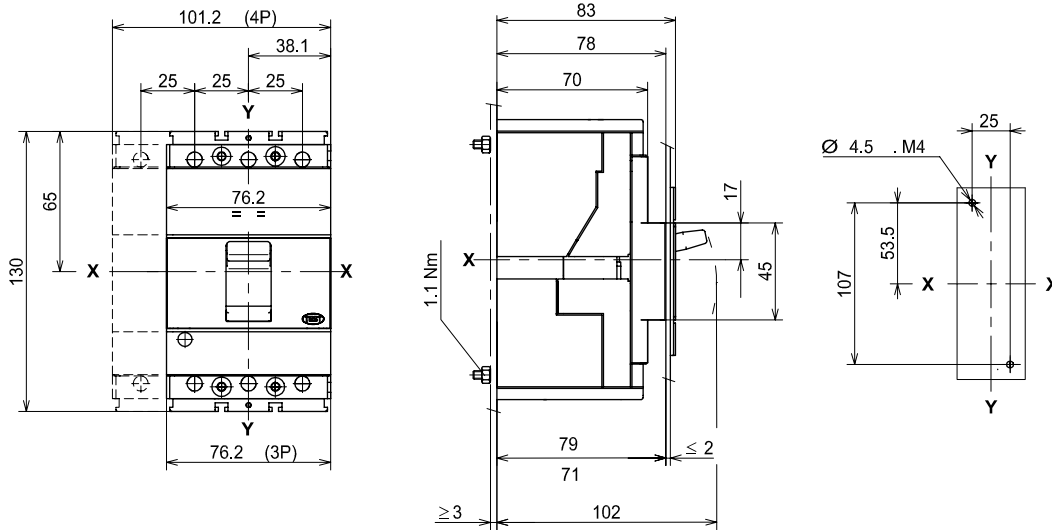
Tmax T3

In [A]	50 °F / 10 °C	68 °F / 20 °C	86 °F / 30 °C	104 °F / 40 °C	122 °F / 50 °C	140 °F / 60 °C
60	70	67	64	60	56	52
70	82	78	74	70	66	61
80	92	88	84	80	75	71
90	104	100	95	90	85	79
100	117	112	106	100	94	87
125	145	139	132	125	118	110
150	175	167	159	150	141	131
175	205	195	185	175	164	152
200	236	224	213	200	187	172
225	264	251	239	225	211	195

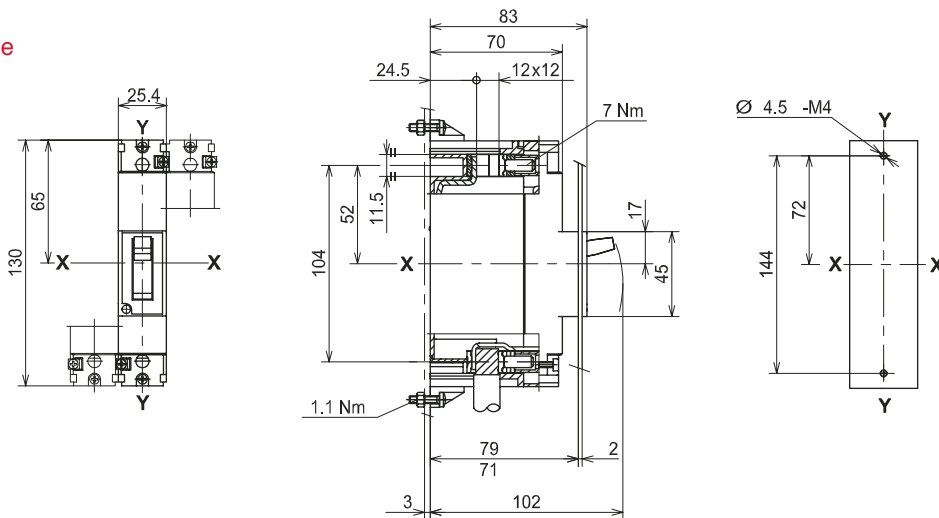
Approximate dimensions T1 & T2

Tmax
MCCBs

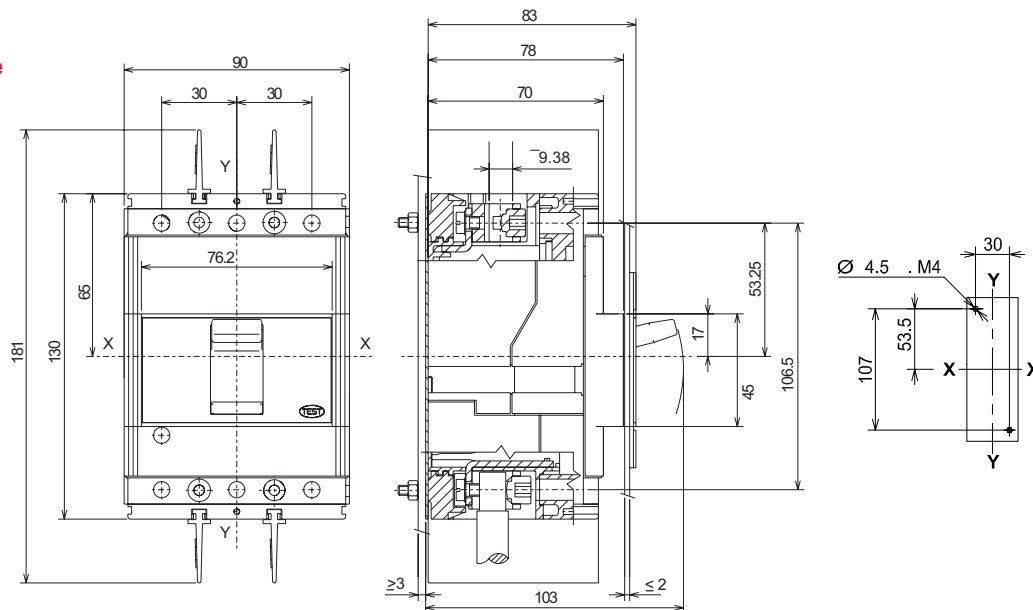
T1 — 3 pole



T1 — Single pole



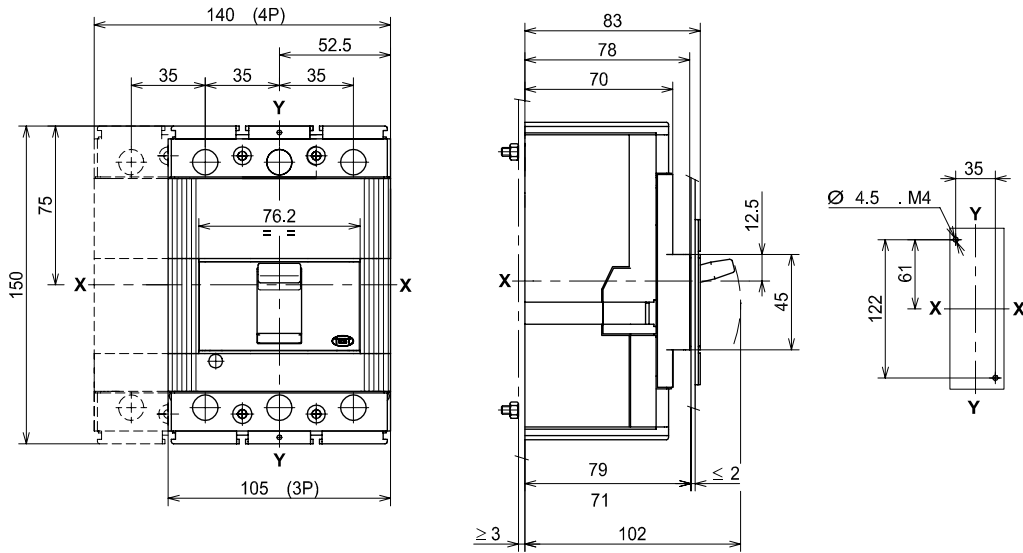
T2 — 2 & 3 pole





Approximate dimensions T3

T3 — 2 & 3 pole



Door cut-out for Tmax without faceplate

