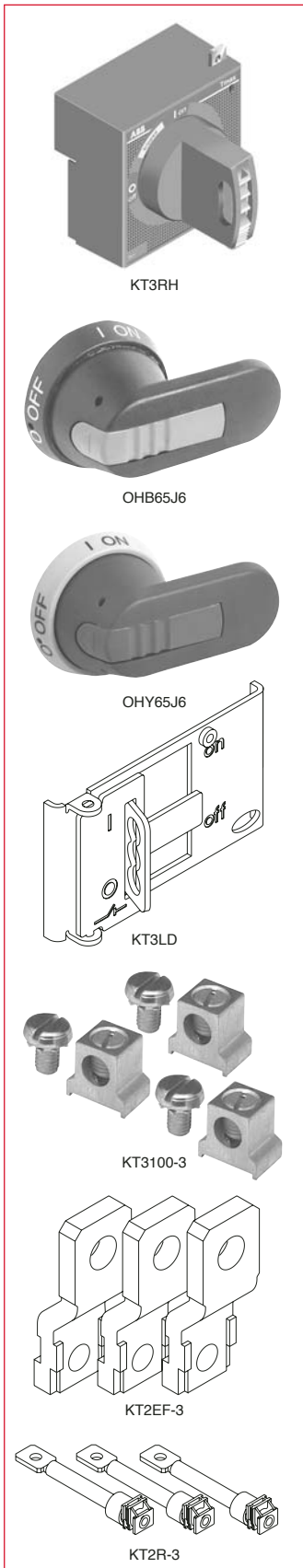


Accessories Mechanical



Direct mount rotary operator handle

	Catalog number	List price
Direct mount rotary	KT3RH	\$ 146

Variable depth rotary handles

Frame	Mechanism catalog number	List price	Shaft catalog number	List price	Handle catalog number	List price
NEMA 1, 3R, 12						
Tmax	KT3VD-M	\$ 72	OXp6X430 ①	\$ 28	OHY65J6 ① OHB65J6 ①	\$ 80
NEMA 4, 4X						
Tmax	KT3VD-M	72	OXp6X430 ①	28	OHY80L6 ① OHB80L6 ①	130
NEMA 1						
Tmax	KT3VD-M	72	KT3VD-S	35	KT3VD-H	87

Locking device

	Catalog number	List price
Locking device	KT3LD	\$ 21

Lugs

For breakers	Amps	Wire size	Set of 2 catalog number	List price	Set of 3 catalog number	List price	Set of 4 catalog number	List price
Standard cable lugs								
T2	100	14AWG-1/0	KT2100-2	\$ 6	KT2100-3	\$ 9	KT2100-4	\$ 12
T3	60	14AWG -2AWG	—	—	KT3060-3	9	KT3060-4	12
	100	14AWG -1/0	—	—	KT3100-3	9	KT3100-4	12
	150	2AWG-4/0	—	—	KT3150-3	12	KT3150-4	18
	225	4AWG-350kcmil	—	—	KT3225-3	18	KT3225-4	24

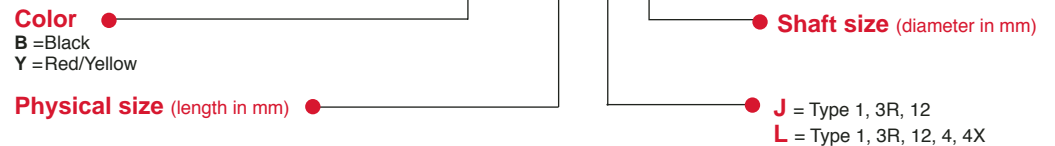
Extended front terminals

For breakers	Amps	Set of 3		Set of 4	
		Catalog number	List price adder	Catalog number	List Price
T2	100	KT2EF-3	\$ 26	KT2EF-4	\$ 35
T3	225	KT3EF-3	33	KT3EF-4	44

Rear terminals

For breakers	Amps	Set of 3		Set of 4	
		Catalog number	List price adder	Catalog number	List Price
T2	100	KT2R-3	\$ 78	KT2R-4	\$ 105
T3	225	KT3R-3	98	KT3R-4	131

OHB 65 J 6



① Use Discount Schedule H6.