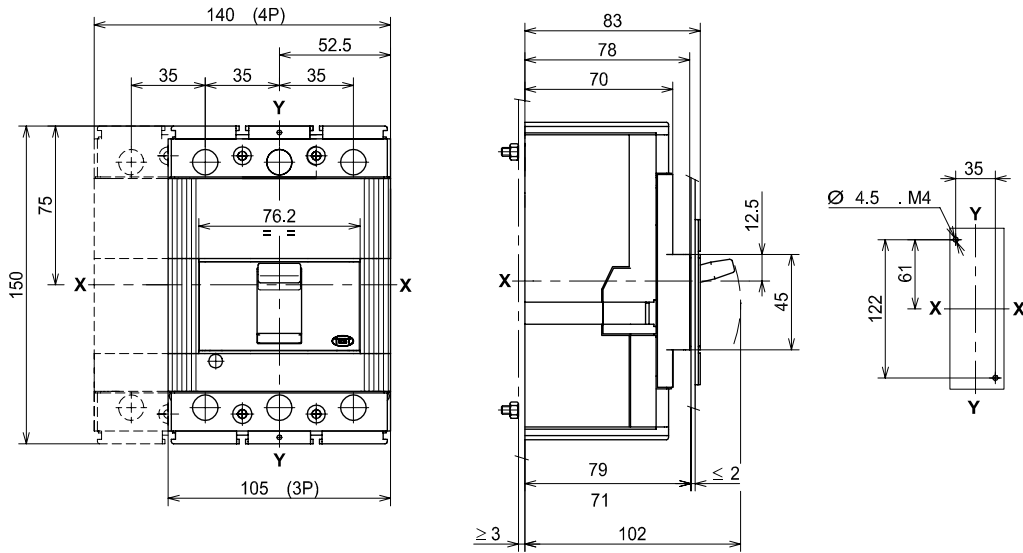




Approximate dimensions T3

T3 — 2 & 3 pole



Door cut-out for Tmax without faceplate

