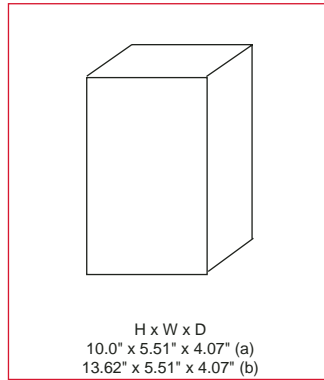


# S5

## 400A, 600V

### Electronic and thermal-magnetic trip types



Standard S5 package includes complete circuit breaker and mounting hardware. Order cable lugs or other connection scheme as a separate item.

- (a) With K5TF cable lugs, breaker is 10.0" tall.
- (b) With K5TG cable lugs, terminal covers are provided and breaker is 13.62" tall.

#### General

The S5 breaker family is a 400A frame utilizing a microprocessor-based overcurrent protective trip system. In the 400A version, the trip unit is adjustable from 160A up to 400A without the addition of any parts or rating plugs. As standard the S5 includes adjustable long time function for overload protection and adjustable instantaneous function for short circuit protection.

#### Versions

To meet all application needs, the S5 is available in various versions:

- B = Adjustment LI
- C = Adjustment LSI
- E = Adjustment LSIG
- Q = 100% UL rated
- D = Molded case switch
- M = Magnetic only (MCP)
- T = Thermal magnetic
- G = 2.5 Mag ( 3-pole only)

#### Trip functions

These tripping functions are available:

- L = Long time
- S = Short time
- I = Instantaneous
- G = Ground fault

#### Performance level

Each version is also available in different maximum fault interrupting levels

- N = Normal
- H = High
- L = Extra high

#### Number of poles

In UL/CSA version, the S5 is available in two pole or three pole version, both with the same dimensions. A four pole version is also available in UL/IEC form. For price estimate, add 35% to list price of selected version three pole breaker, contact ABB Control for details.

#### Accessory mounting

Internal accessories are UL/CSA approved for both factory or field installation. Accessories require control cable connectors. Shunt trips or UVR's mount in the left cavity. Auxiliary or bell alarm switches mount in the right cavity.

#### Reverse feeding

All versions of the S5 family are suitable for reverse feed applications.

#### Molded case switches

UL489 switches include no overcurrent protection except for a high instantaneous trip mechanism for self protection.

#### UL/CSA Interrupting capacity (kA RMS) UL489 / CSA C22.2

Voltage	N	H	L
240VAC	65	150	200
480VAC	35	65	100
600VAC	22	22	35
500VDC <sup>Ⓞ</sup>	35	50	65
600VDC <sup>Ⓞ</sup>	20	35	50

#### IEC-947 Interrupting capacity (kA RMS)

Voltage	N	H	L
230VAC	65	100	200
380/400/415VAC	35	65	100
440VAC	30	50	80
500VAC	25	40	65
690VAC	20	25	30

<sup>Ⓞ</sup> Thermal magnetic only.