

S6

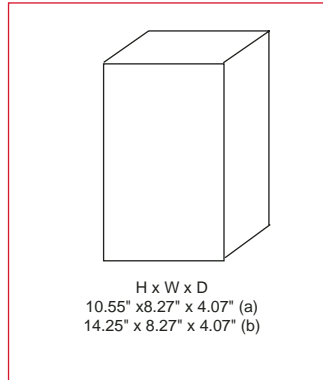
600A / 800A, 600V

Electronic and thermal-magnetic trip type

Isomax
MCCBs



S6



H x W x D
10.55" x 8.27" x 4.07" (a)
14.25" x 8.27" x 4.07" (b)

Standard S6 package includes complete circuit breaker and mounting hardware. Order cable lugs or other connection scheme as a separate item.

- (a) With K6TH cable lugs breaker is 10.55" tall.
- (b) With K6TJ cable lugs, terminal covers are provided and breaker is 14.25" tall.

General

The S6 breaker family is an 800A frame with a 600A and 800A version, both utilizing a microprocessor based overcurrent protective trip system. Both versions are adjustable from 40% to 100% of rating without the addition of any parts or rating plugs. As standard, the S6 includes adjustable long time function for overload protection and adjustable instantaneous function for short circuit protection.

Versions

To meet all application needs, the S6 is available in various versions:

- B = Adjustment LI
- C = Adjustment LSI
- E = Adjustment LSIG
- Q = 100% UL rated
- D = Molded case switch
- M = Magnetic only (MCP)
- T = Thermal magnetic
- G = 2.5 Mag (3-pole only)

Trip functions

These tripping functions are available:

- L = Long time
- S = Short time
- I = Instantaneous
- G = Ground fault

Performance level

Each version is also available in different maximum fault interrupting levels

- N = Normal
- H = High
- L = Extra high

Number of poles

In UL/CSA version, the S6 is available as in two pole or three pole version, both with the same dimensions. A four pole version is also available in UL/IEC form. For price estimate, add 35% to list price of selected version three pole breaker, contact ABB Control for details.

Accessory mounting

Internal accessories are UL/CSA approved for both factory or field installation. Accessories require control cable connectors. Shunt trips or UVR's mount in the left cavity. Auxiliary or bell alarm switches mount in the right cavity.

Reverse feeding

All versions of the S6 family are suitable for reverse feed applications.

Molded case switches

UL489 switches include no overcurrent protection except for a high instantaneous trip mechanism for self protection. IEC type molded case switches with no trip protection are also available.

UL/CSA Interrupting capacity (kA RMS) UL489 / CSA C22.2

| Voltage | N | H | L |
|---------------------|----|-----|-----|
| 240VAC | 65 | 150 | 200 |
| 480VAC | 50 | 65 | 100 |
| 600VAC | 25 | 35 | 42 |
| 500VDC [Ⓢ] | 35 | 50 | 65 |
| 600VDC [Ⓢ] | 20 | 25 | 50 |

IEC-947 Interrupting capacity (kA RMS)

| Voltage | N | H | L |
|----------------|----|-----|-----|
| 230VAC | 65 | 100 | 200 |
| 380/400/415VAC | 35 | 65 | 100 |
| 440VAC | 30 | 50 | 80 |
| 500VAC | 25 | 40 | 65 |
| 690VAC | 20 | 25 | 35 |

| Catalog Number number | Rating | Magnetic trip |
|-----------------------|---|---------------|
| S6N600GW | 3 pole, 600 Amp thermal magnetic, I _m =2.5 x I _{th} | 1500A |
| S6N800GW | 3 pole, 800 Amp thermal magnetic, I _m =2.5 x I _{th} | 2000A |