

General information

Accessories

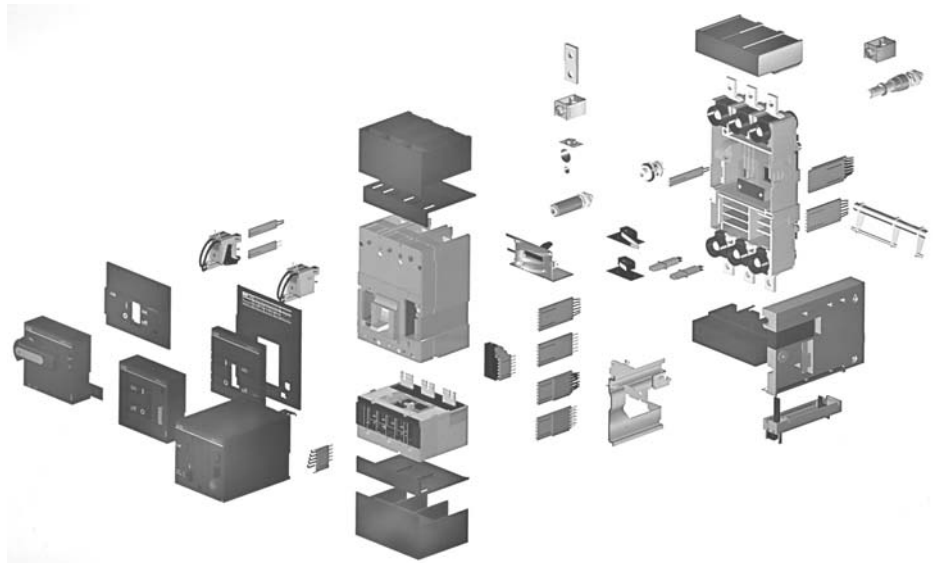
Simplified maintenance

Isomax
MCCBs

Complete range of accessories

ABB Isomax circuit breakers are complemented by a complete range of accessories to satisfy the widely differing operational and automation requirements. Accessories are standardized for groups of circuit breakers to streamline storage logistics and simplify installation.

ABB Isomax units can be customized as required under conditions of absolute safety. All accessories for S3 – S7 can be mounted with simple operations without having to remove the circuit breaker power cover and without any accessory adjustments.



Simplified maintenance

Maintenance operations are kept to a minimum. All inspection can be performed quickly and easily.

A dialog unit (optional) can be installed to store operational data for efficient maintenance scheduling.

Reliability is ensured by the high quality of all materials and by advanced manufacturing in automated assembly systems capable of ensuring consistent product quality.

Insulation distances are as required for both UL/CSA 600VAC approvals and also IEC-947 690VAC rating, which ensures safe insulation even under the severest operating conditions.

Double insulation. The cover on S3 – S7 encloses all electrical accessory cavities which are also completely separated from the power circuit.

Moreover:

- positive operation to guarantee safe and reliable signalling.
- optional draw-out with closed-door racking-out for maximum operational safety.
- high and low terminal covers are available to increase operator protection level.



15