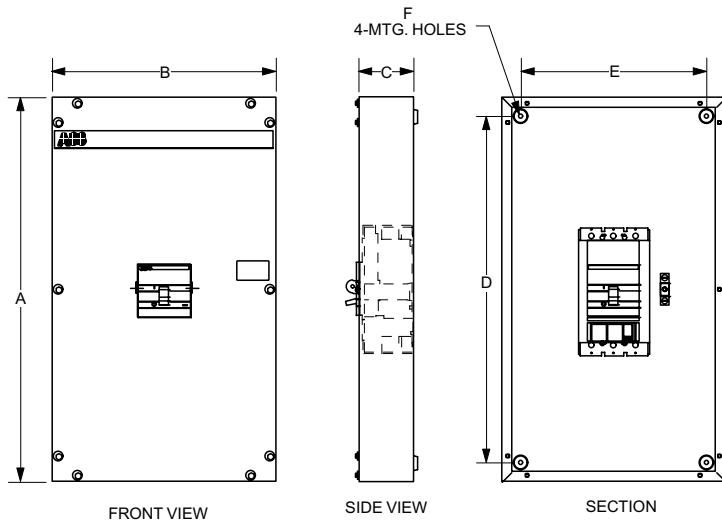


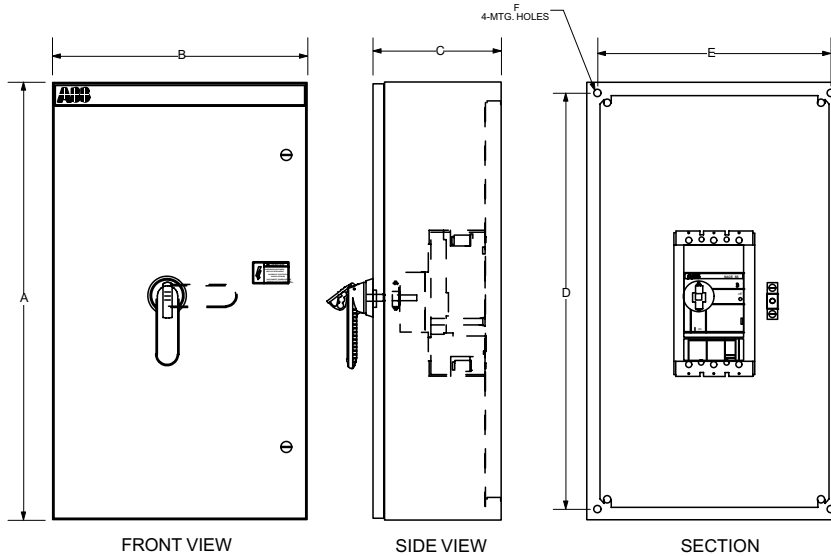
## Approximate dimensions S1 – S7 enclosures NEMA 1, 3R & 12

### NEMA 1



CAT.#	A	B	C	D	E	F
S1E-1	14.0 355.6	10.0 254.0	2.85 72.39	11.0 279.4	7.0 177.8	.312 7.93
S2E-1	16.0 406.5	11.0 280.0	2.85 72.5	13.0 330.0	8.0 203.0	.312 7.93
S3E-1	22.0 559.0	12.0 305.0	4.25 108.0	19.0 482.0	9.0 229.0	.312 7.93
S4E-1	30.0 762.0	17.5 444.5	4.25 108.0	27.0 686.0	14.5 368.5	.312 7.93
S5E-1	30.0 762.0	17.5 444.5	4.25 108.0	27.0 686.0	14.5 368.5	.312 7.93
S6E-1	44.0 1118.0	22.0 559.0	5.75 146.0	41.0 1041.5	19.0 483.0	.312 7.93
S7E-1	44.0 1118.0	22.0 559.0	5.75 146.0	41.0 1041.5	19.0 483.0	.312 7.93

### NEMA 3R, 12



CAT.#	A	B	C	D	E	F
S2E-3R12	16.0 406.5	11.0 280.0	8.8 224.0	14.5 368.5	9.5 242.0	0.50 13.7
S3E-3R12	22.0 559.0	12.0 305.0	8.8 224.0	20.5 520.5	10.5 267.0	0.50 13.7
S4E-3R12	30.0 762.0	17.5 444.5	8.8 224.0	28.5 724.0	16.0 406.5	0.50 13.7
S5E-3R12	30.0 762.0	17.5 444.5	8.8 224.0	28.5 724.0	16.0 406.5	0.50 13.7
S6E-3R12	44.0 1118.0	22.0 559.0	10.8 274.5	42.5 1080.0	20.5 521.0	0.50 13.7
S7E-3R12	44.0 1118.0	22.0 559.0	10.8 274.5	42.5 1080.0	20.5 521.0	0.50 13.7