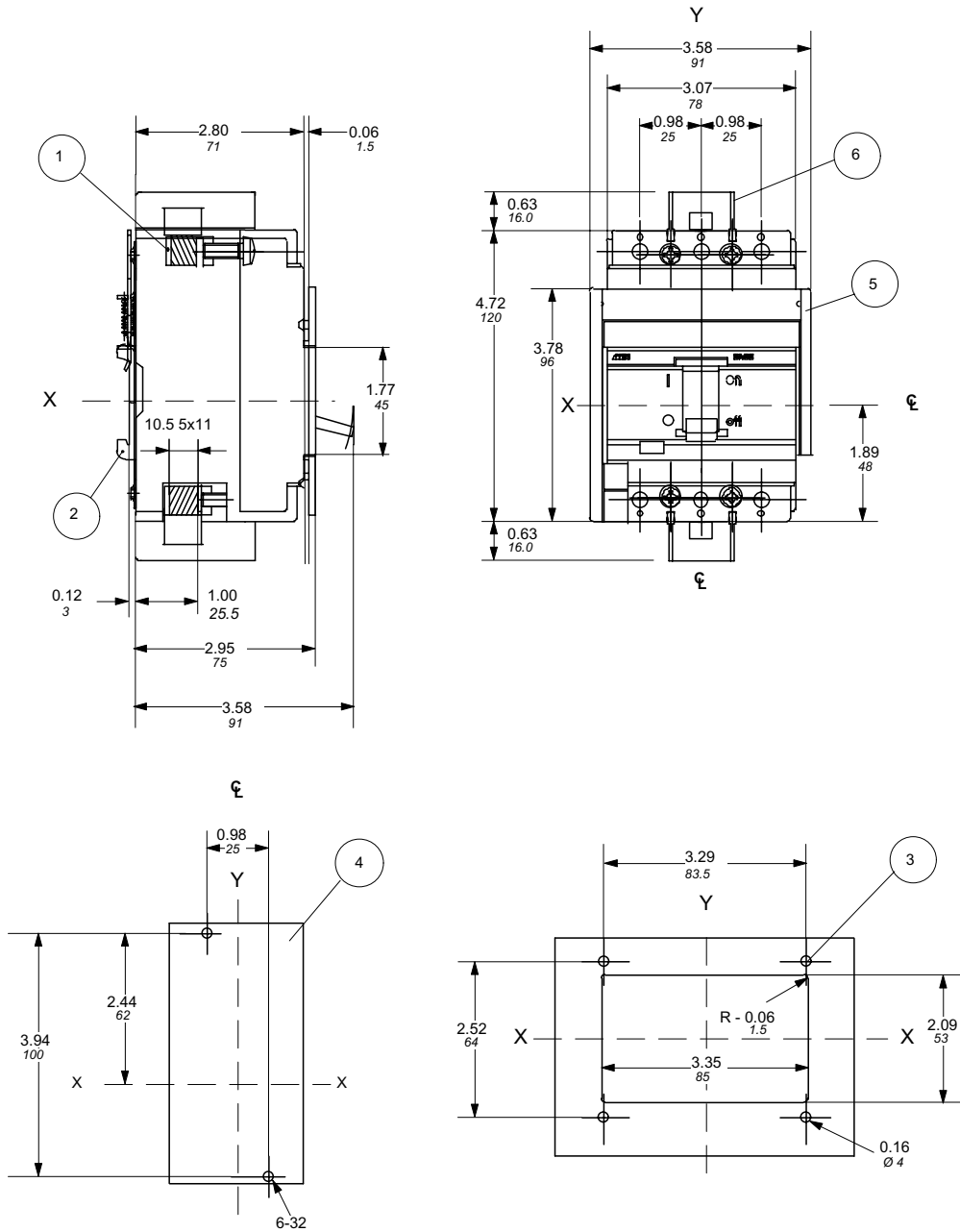


# Approximate dimensions S1 Fixed version, front

Isomax  
MCCBs

00.00 Inches  
00.00 [Millimeters]



### LEGEND

- 1-FRONT TERMINALS FOR CABLE OR FOR FLAT BAR
- 2-MOUNTING ON CHANNEL TO DIN EN 50022 (OPTIONAL)
- 3-COMPARTMENT DOOR SHEET STEEL DRILLING FOR FIXING THE FLANGE
- 4-MOUNTING ON SHEET STEEL
- 5-FLANGE FOR THE COMPARTMENT DOOR
- 6-INSULATING BARRIER

WIRE RANGE	WIRE TORQUE
14 AWG - 8 AWG	22 lb-in
6 AWG - 3 AWG	44 lb-in

COPPER WIRE ONLY