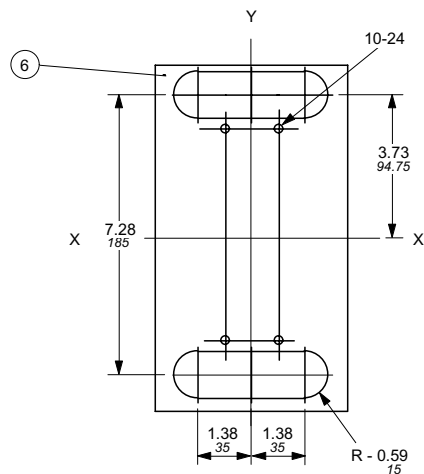
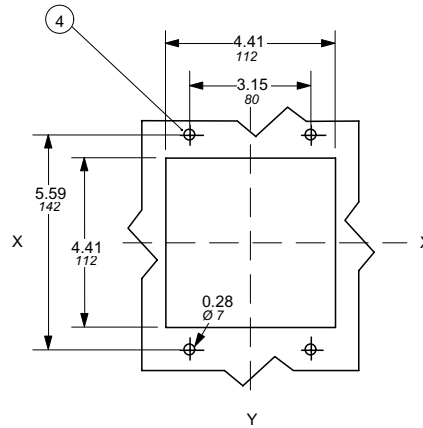
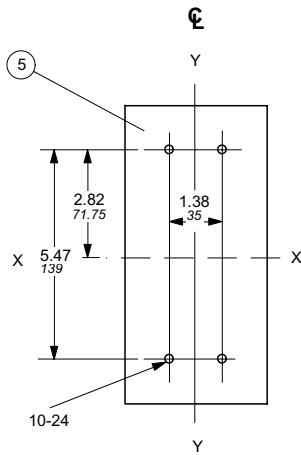
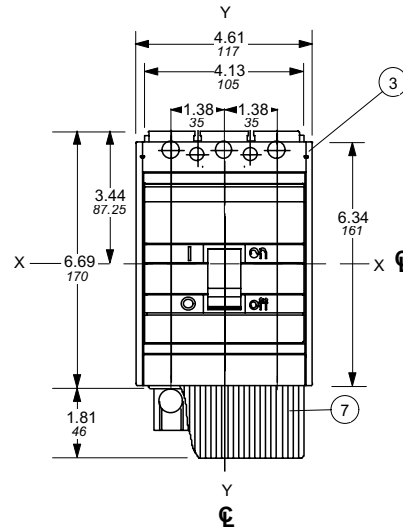
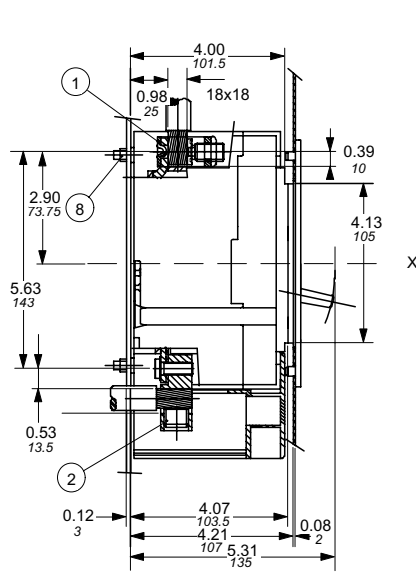


Approximate dimensions S3 Fixed version, front

00.00 — Inches
00.00 — [Millimeters]



LEGEND

- 1-FRONT TERMINALS FOR CABLE CONNECTION
- 2-REAR TERMINALS FOR CABLE CONNECTION
- 3-FLANGE FOR THE COMPARTMENT DOOR
- 4-COMPARTMENT DOOR SHEET STEEL DRILLING FOR FIXING THE FLANGE
- 5-MOUNTING ON SHEET STEEL
- 6-MOUNTING ON SHEET STEEL WITH REAR CABLE TERMINALS
- 7-HIGH TERMINAL COVERS WITH IP 20 PROTECTION DEGREE
- 8-TIGHTENING TORQUE 17.70 lb-in

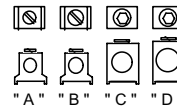


FIGURE	LUG KIT CAT. NO.	LUG NO.	TEMP.	WIRE RANGE	WIRE TORQUE	MOUNTING TORQUE	WIRE SCREW SIZE
A	K3TA, K3TA-2	D3477	75° C	14AWG - 2AWG	50 lb-in	120 lb-in	SLOT
B	K4TB, K4TB-2	D3447	75° C	14AWG - 1/0	50 lb-in	120 lb-in	SLOT
C	K4TC, K4TC-2	D3449	75° C	2AWG - 4/0	120 lb-in	150 lb-in	3/16
D	K4TD, K4TD-2	D3448	75° C	4AWG - 300kcmil	275 lb-in	150 lb-in	1/4