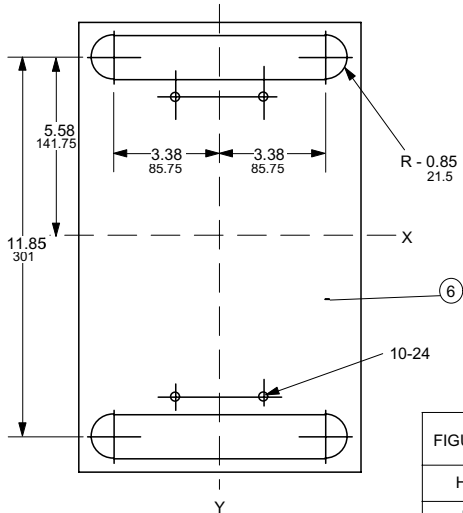
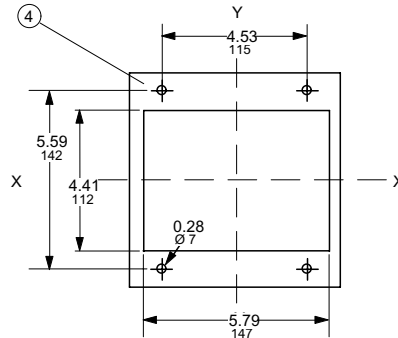
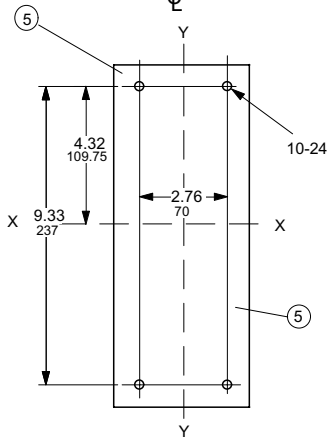
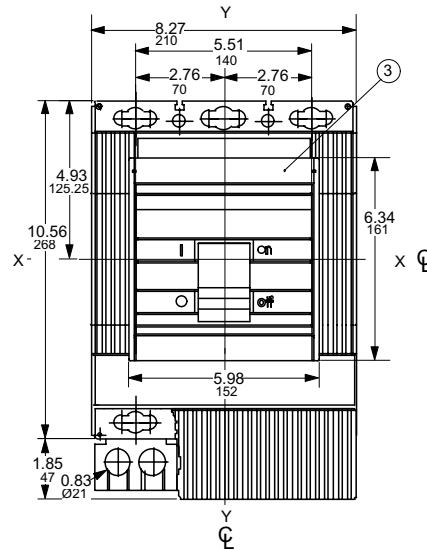
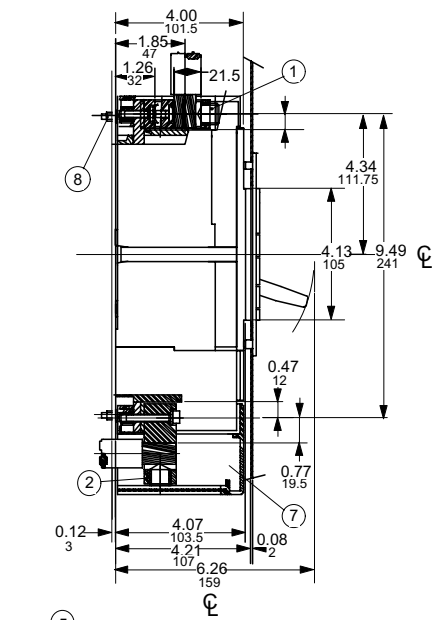


# Approximate dimensions S6 Fixed version, front

Isomax  
MCCBs

00.00 Inches  
00.00 [Millimeters]



### LEGEND

- 1-FRONT TERMINALS FOR CABLE PROTECTION
- 2-REAR TERMINALS FOR CABLE CONNECTION
- 3-FLANGE FOR THE COMPARTMENT DOOR
- 4-COMPARTMENT DOOR SHEET STEEL DRILLING TEMPLATE
- 5-MOUNTING ON SHEET STEEL
- 6-MOUNTING ON SHEET STEEL REAR CABLE TERMINALS
- 7-HIGH TERMINAL COVERS WITH IP 20 PROTECTION DEGREE
- 8-TIGHTENING TORQUE 17.70 lb-in

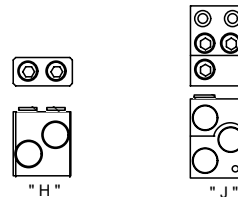


FIGURE	LUG KIT CAT. NO.	LUG NO.	TEMP.	WIRE RANGE	WIRE TORQUE	MOUNTING TORQUE	WIRE SCREW SIZE
H	K6TH, K6TH-2	D2957	90° C	250 - 500 kcmil (2)	275 lb-in	85 lb-in	5/16
J	K6TJ, K6TJ-2	D2958	90° C	2/0 - 400 kcmil (3)	375 lb-in	110 lb-in	3/8