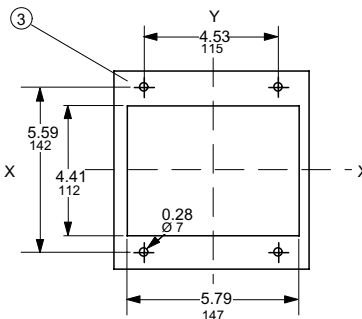
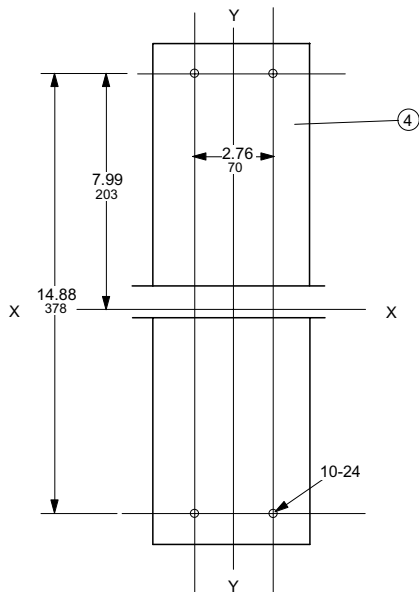
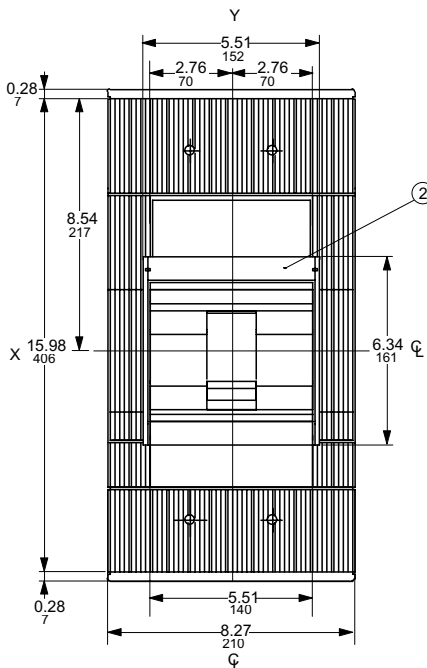
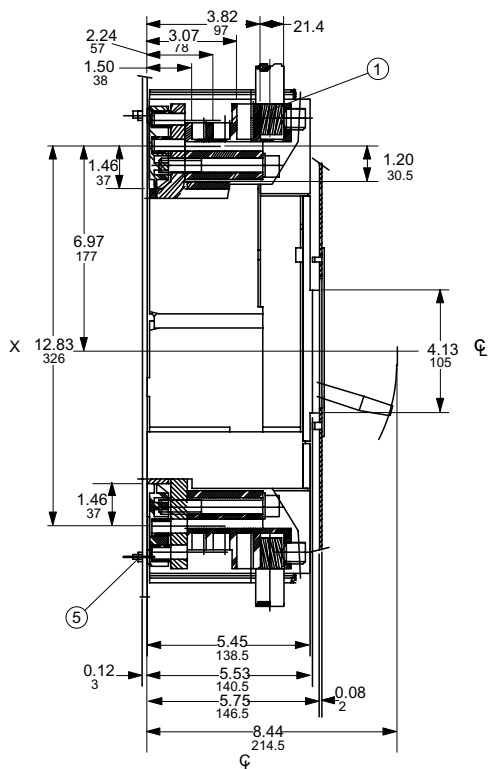


Approximate dimensions S7 Fixed version, front

00.00 → Inches
00.00 → [Millimeters]



LEGEND

- 1-FRONT TERMINALS FOR CABLE CONNECTION
- 2-FLANGE FOR THE COMPARTMENT DOOR
- 3-COMPARTMENT DOOR SHEET STEEL DRILLING TEMPLATE
- 4-MOUNTING ON SHEET STEEL
- 5-TIGHTENING TORQUE 17.70 lb-in



FIGURE	LUG KIT CAT. NO.	LUG NO.	TEMP.	WIRE RANGE	WIRE TORQUE	MOUNTING TORQUE	WIRE SCREW SIZE
K	K7TK, K7TK-2	D2959	90° C	4/0 - 500 kcmil (4)	375 lb-in	375 lb-in	3/8