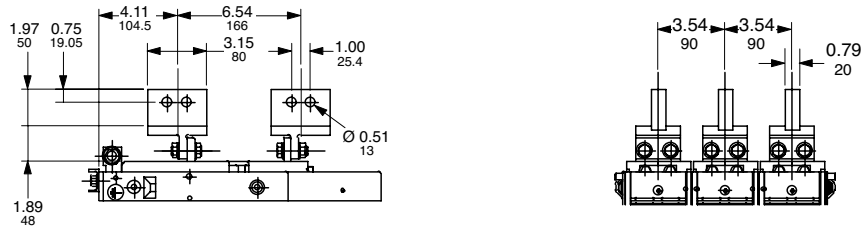


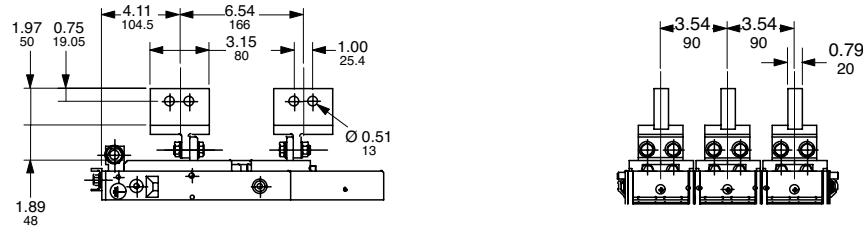
Approximate dimensions (for UL version)
E1 - E6, fixed with vertical rear terminals
3 pole

00.00 Inches
00.00 [Millimeters]

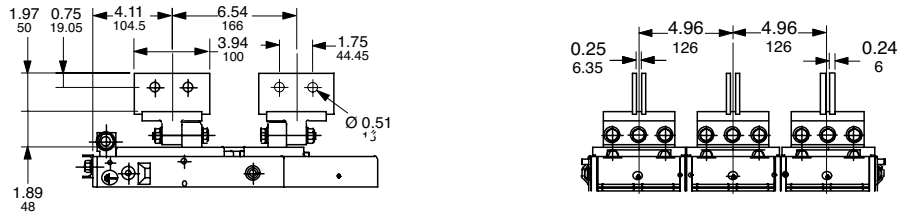
E1



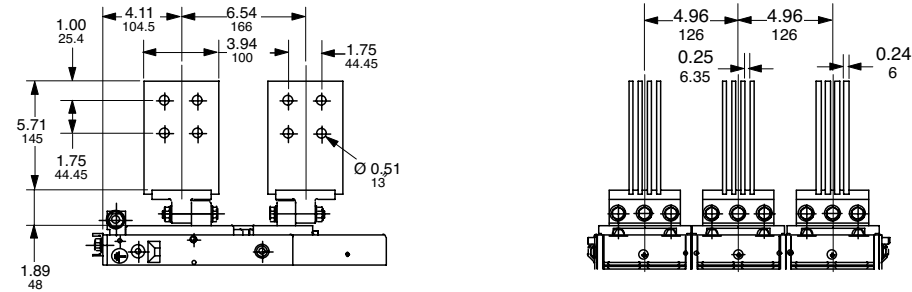
E2



E3 (1200A - 2000A)

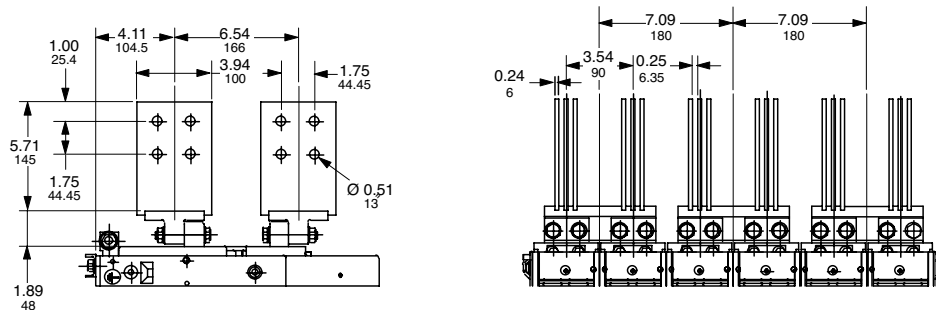


E3 (2500A)



16

E4



E6

