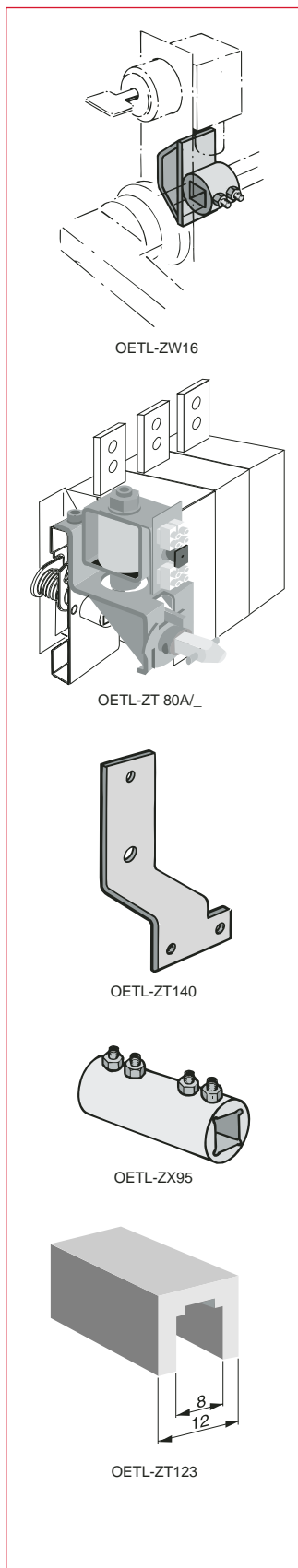


# 200A Accessories

Disconnect  
switches  
Non-fusible



## Locking accessories

Description	For use on:	Weight (lbs)	Catalog number	List price
<b>Cam attachment</b> for Kirk Key, Castell, Lowe & Fletcher and Ronis interlock. For adapting to the interlock system. The interlock is not included.	5, 6 & 8mm shafts	0.29	OETL-ZW16	<b>\$ 190</b>
<b>Electrical interlock</b> ① Closed circuit principle for interlocking the switch movement. When the coil circuit is dead, A-types cannot be operated to ON-position and L-types cannot be operated to ON- or OFF-position. Coil voltages 110VAC, 220VAC, 24VDC, 48VDC, 60 VDC, 110VDC, 220VDC, P = 15W U = 0.7 – 1.1 Un (U = coil voltage, Un = nominal voltage)	OETL-NF200A	2.42	OETL-ZT80A/★	<b>1280</b>
			OETL-ZT80L/★	<b>1220</b>
<b>Mounting bracket</b>	OETL-NF200A	0.35	OETL-ZT140	<b>80</b>

★ - Coil voltage

## Shaft extension coupler

Description	For use on:	Weight (lbs.)	Catalog number	List price
Joins two shafts together for applications where extended length is required	12mm shafts	0.26	OETL-ZX95	<b>\$ 100</b>

Shaft adapter is required for 8mm shafts.

## Shaft adapter

Description	For use on:	Weight (lbs.)	Catalog number	List price
Adapts one end of an 8mm shaft to a 12mm shaft. Use with shaft extension coupler.	8mm shafts	0.20	OETL-ZT123	<b>\$ 40</b>

① OETL-ZT140 mounting bracket required.