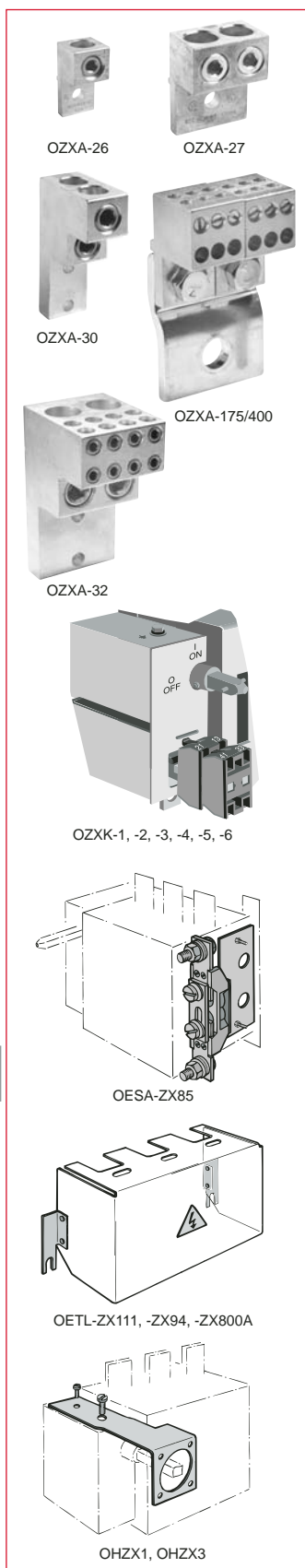


400A – 800A Accessories



Terminal lug kits

For use on:	Wire size	Kit weight (lbs.)	Wire type	Terminal lugs per kit	Kit catalog number	List price
OETL-NF400	#2 – 600 kcmil	3.50	Cu/Al	6	OZXA-26	\$ 190
OETL-NF400	#2 – 600 kcmil	1.75	Cu/Al	3	OZXA-26/3P	95
OETL-NF400	(2) #2 – 500 kcmil	4.62	Cu/Al	6	OZXA-33	375
OETL-NF600A	(2) #2 – 600 kcmil	4.62	Cu/Al	6	OZXA-27	380
OETL-NF600A	(2) #2 – 600 kcmil	2.31	Cu/Al	3	OZXA-27/3P	190
OETL-NF800A	(2) #2 – 600 kcmil	6.90	Cu/Al	6	OZXA-30	740
OETL-NF800A	(2) #2 – 600 kcmil	3.45	Cu/Al	3	OZXA-30/3P	370
OETL-NF800A ①	(8) 2/0 + (2)#2 600 kcmil	6.90	Cu/Al	3	OZXA-32	600
OETL-NF400 – OETL-NF600 ①	(12) #14 – 6	1.10	Cu/Al	3	OZXA-175/400	270

Auxiliary contacts ②

Description	For use on:	Weight (lbs)	AC thermal amp rating	AC rated voltage	Catalog number	List price
1 N.O. + 1 N.C.	OETL-NF400 – OETL-NF800A	0.20	10	600	OZXK-1	\$ 100
2 N.O. + 2 N.C.		0.26	10	600	OZXK-2	170
4 N.O. + 4 N.C.		0.40	10	600	OZXK-3	340
2 N.O.		0.18	10	600	OZXK-4	100
4 N.O.		0.25	10	600	OZXK-5	170
8 N.O.		0.40	10	600	OZXK-6	340

Terminal poles

Description	For use on:	Weight (lbs)	AC thermal amp rating	AC rated voltage	Catalog number	List price
Detachable neutral mounts on side of switch or DIN rail	OETL-NF400 – OETL-NF600A	1.04	400	600	OESA-ZX85	\$ 150

Terminal shrouds

Description	For use on:	Weight (lbs)	Catalog number	List price
Includes one shroud for line or load side	OETL-NF400	0.62	OETL-ZX111	\$ 90
	OETL-NF600A	0.66	OETL-ZX94	130
	OETL-NF800A	0.88	OETL-ZX800A	180

Handle support bracket

Description	For use on:	Weight (lbs)	Catalog number	List price
Allows handle to be directly mounted to switch behind the door	OETL-NF400 – OETL-NF600	0.51	OHZX1	\$ 24
	OETL-NF800A	0.88	OHZX3	30

① A load side distribution lug eliminates the need to purchase, install and wire a separate distribution block.
② UL File E57057