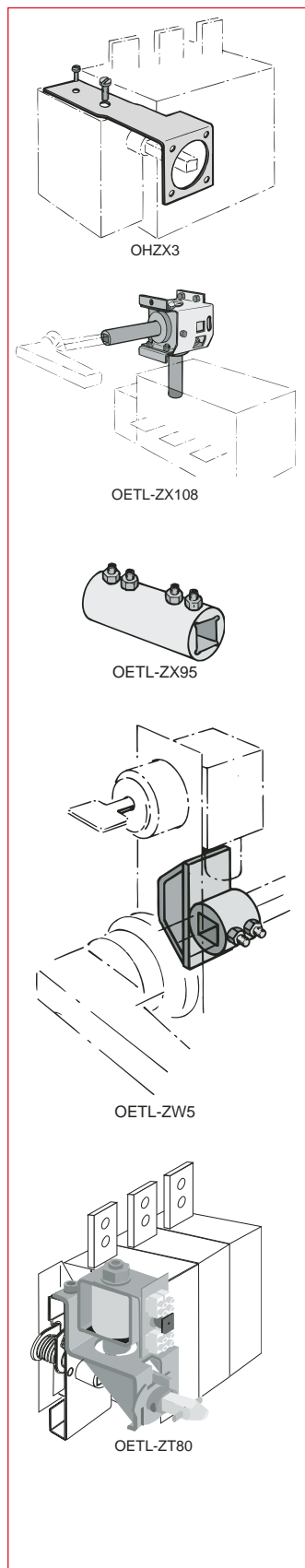


# 1200A – 3150A Accessories

Disconnect  
switches  
Non-fusible



## Handle support bracket

Description	For use on:	Weight (lbs)	Catalog number	List price
Allows handle to be directly mounted to switch behind the door	OETL-NF1200 – OETL-NF3150	0.88	OHZX3	\$ 30

## 90° angle kit

Description	For use on:	Weight (lbs)	Catalog number	List price
Converts switch mechanism from front operation to side operation	OETL-NF1200 – OETL-NF3150	4.63	OETL-ZX108	\$ 794

## Shaft extension coupler

Description	For use on:	Weight (lbs)	Catalog number	List price
Joins two shafts together for applications where extended length is required	12mm shafts	0.26	OETL-ZX95	\$ 100

## Locking accessories

Description	For use on:	Weight (lbs)	Catalog number	List price
<b>Cam attachment</b> for Kirk Key, Castell, Lowe & Fletcher and Ronis interlock. For adapting to the interlock system. The interlock is not included.	12mm shafts	0.29	OETL-ZW5	\$ 190
<b>Electrical interlock</b> Closed circuit principle for interlocking the switch movement. When the coil circuit is dead, A-types cannot be operated to ON-position and L-types cannot be operated to ON- or OFF-position. Coil voltages 110VAC, 220VAC, 24VDC, 48VDC, 60 VDC, 110VDC, 220VDC, P = 15W $U = 0.7 - 1.1 U_n$ (U= coil voltage, $U_n$ = nominal voltage)	OETL-NF1200 OETL-NF3150	-2.42	OETL-ZT80A/★ OETL-ZT80L/★	1280 1220



★ = Coil voltage