

General information



Versatility

ABB SwitchLine non-fusible disconnect switches are designed to offer maximum versatility in many ways.

Broad range

SwitchLine is seventeen amperage sizes from 16A – 3150A. All sizes are compact, heavy duty, 600V disconnect switches. Many sizes are available in 2, 3, 4, 6, and 8 pole configurations.

Compact size

The SwitchLine's compact dimensions allow panel size reduction in new applications or easily retrofit into space-sensitive existing installations.

International acceptance

UL listed, CSA approved, IEC rated, CE marked, and most other international standards.

UL98 (CSA 22.2 No.4) – UL File # E101914, CSA File #LR58077

For OT30, OT60, OT100, OT160, OETL-NF200 – OETL-NF2000 switches, OH_pistol grip handles

Suitable for use as motor disconnects or industrial control panel disconnects on service entrance equipment, panelboards, switchboards, industrial control equipment, motor control centers, etc. and are horsepower rated and ampere rated.

UL508 (CSA 22.2 No. 14) – UL File # E63822, CSA File #LR58247

For OT16 – OT63 switches, OH_selector handles

Suitable for use in equipment or machinery as motor controllers & motor disconnects and are horsepower and ampere rated.

IEC

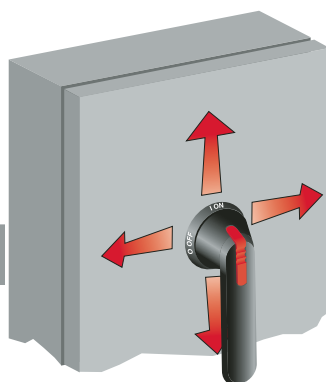
Tested in accordance to IEC 947-1 and 3, IEC 664, IEC 269, and IEC 204

CE

Compliance with the European Machine Directive IEC 204 (EN 60204)



17



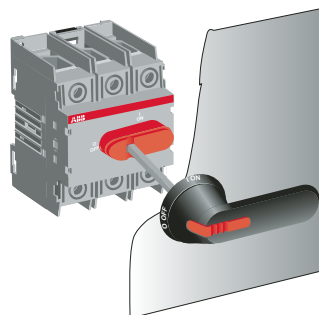
Installation options

Rotary through the door: available in all sizes, 16A – 3150A

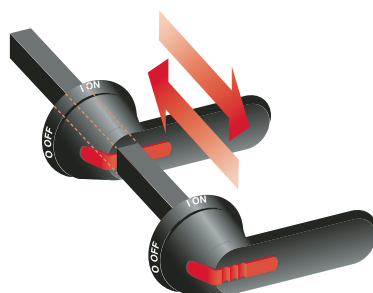
Flange: versions available in 30A, 60A, 100A, & 200A sizes

A rotary disconnect switch may be installed nearly anywhere in a control panel — mounting is not limited to the upper right hand corner of the panel.

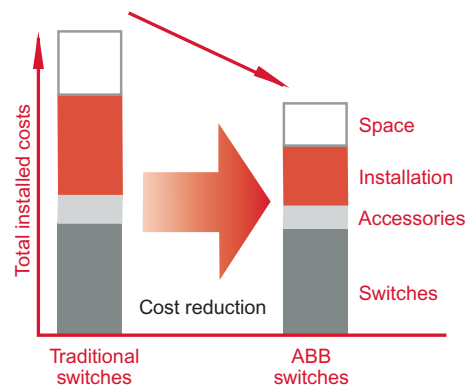
Mount the switch where it conveniently fits in your panel and simply install the handle on the door, in line with the switch. The switch and handle are mechanically linked through an easily adjusted shaft. This allows fast and easy installation into panels of different depths and layouts.



Rotary through the door installation



Easily adjusted shaft



Lower installed costs