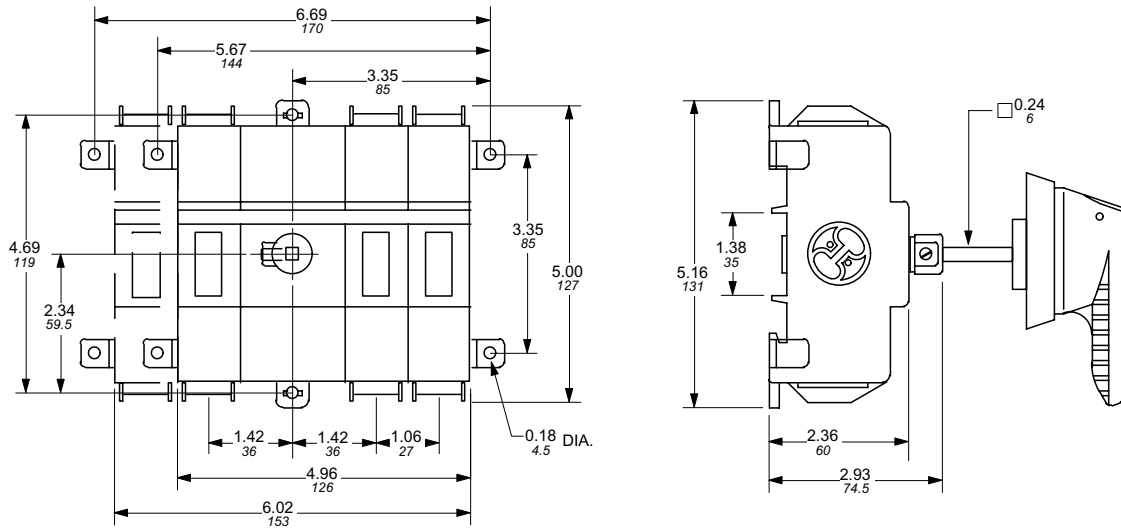


Disconnect
switches
Non-fusible

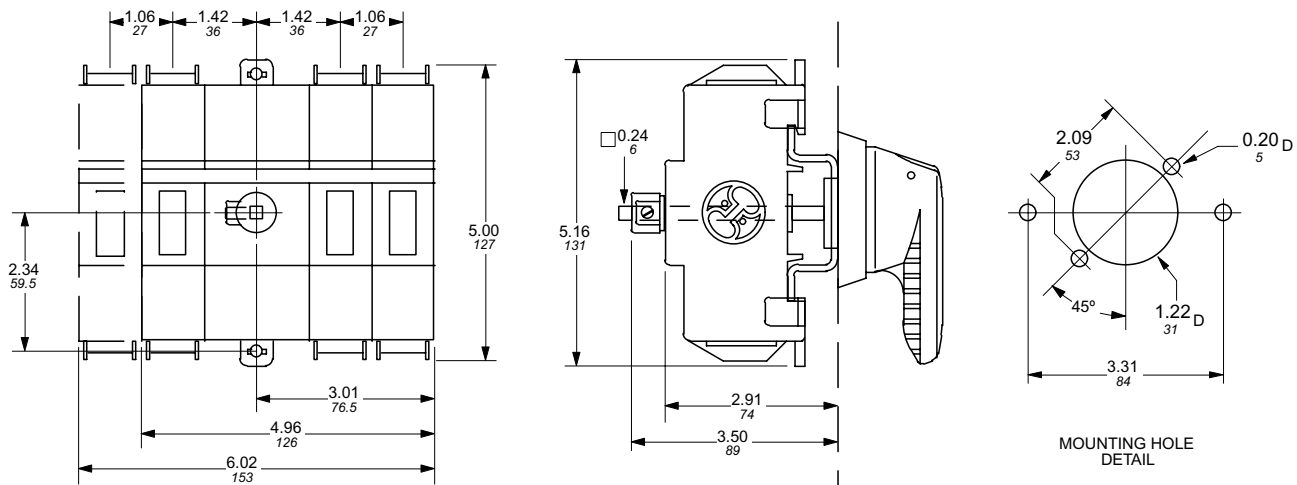
Approximate dimensions OT160E3 & OT160ET3

00.00 Inches
00.00 [Millimeters]

OT160E3 — base & DIN rail mounted switch



OT160ET3 — Door mounted switch



17