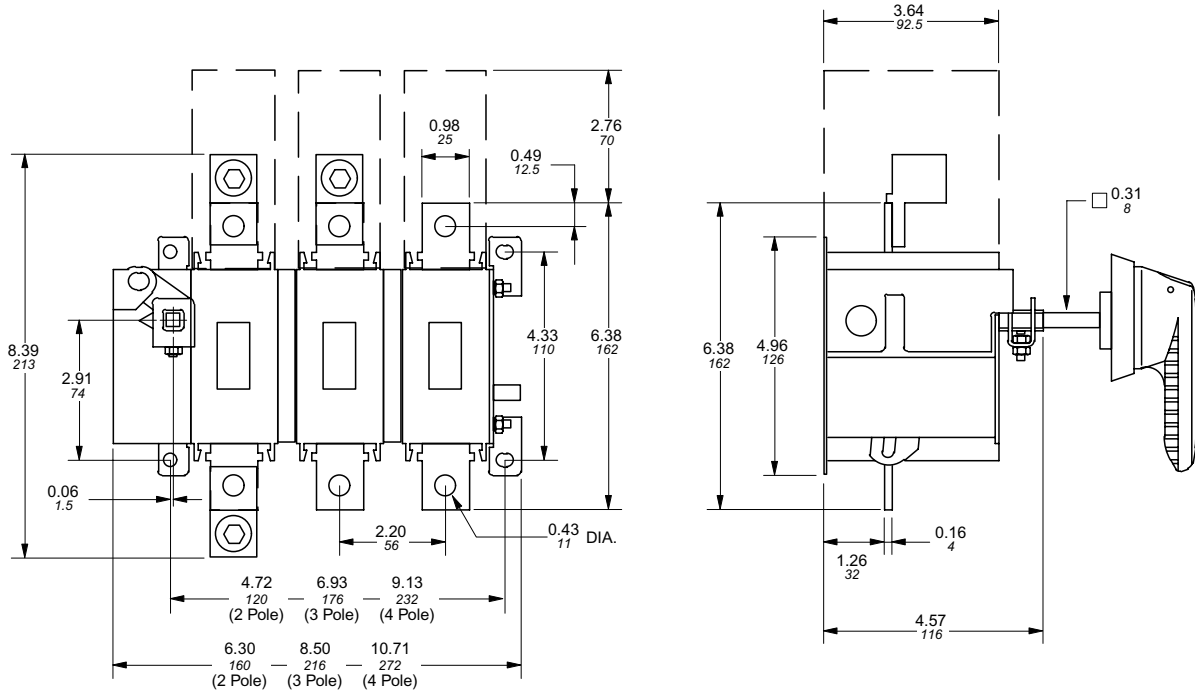


Approximate dimensions OETL-NF200 – OETL-NF400

Disconnect
switches
Non-fusible

00.00 Inches
00.00 [Millimeters]

OETL-NF200A



OETL-NF400

