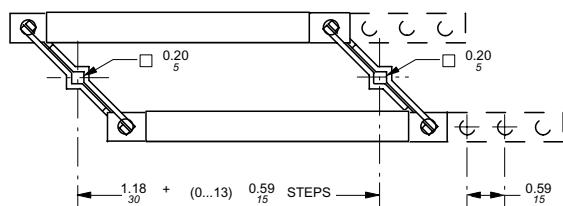


Approximate dimensions for 16A – 100A conversion mechanisms

00.00 Inches
00.00 [Millimeters]

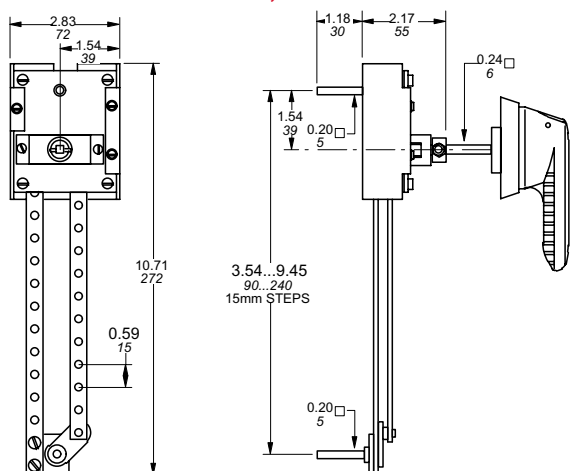
6 or 8 pole — OTZW8



For installation of 6 or 8 pole, transfer and bypass mechanisms, the following minimum and maximum mounting dimensions are given below.

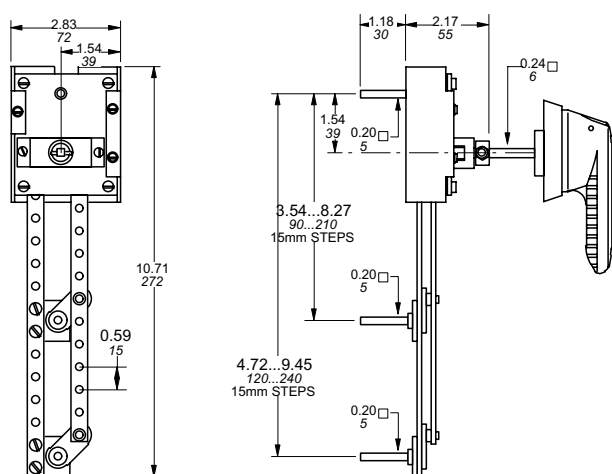
OTZW8 in combination with:	Minimum inches/mm	Maximum inches/mm
OT16E3, OT25E3, OT32E3	3.07/78	N/A
OT45E3, OT63E3	3.74/95	N/A
OT30E3, OT60E3, OT100E3	3.82/97	N/A

Transfer switch — OTZW6, OTZW6X



OTZW6, OTZW6X in combination with:	Minimum inches/mm	Maximum [Ⓞ] inches/mm
OT16E3, OT25E3, OT32E3	4.61/117	6.57/167
OT45E3, OT63E3	5.31/135	7.28/185
OT30E3, OT60E3, OT100E3	4.84/123	6.81/173

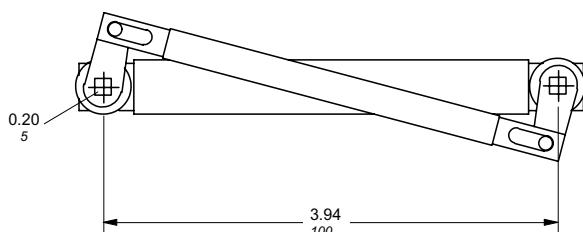
Bypass switch — OTZW17, OTZW17X



OTZW17, OTZW17X in combination with:	Minimum inches/mm	Maximum [Ⓞ] inches/mm
OT16E3, OT25E3, OT32E3	4.61/117	6.57/167
OT45E3, OT63E3	5.31/135	7.28/185
OT30E3, OT60E3, OT100E3	4.84/123	6.81/173

17

Mechanical interlock — OETL-ZW24



OETL-ZW24 in combination with:	Minimum inches/mm	Maximum [Ⓞ] inches/mm
OT16E3, OT25E3, OT32E3	3.39 / 86	—
OT45E3, OT63E3	4.09 / 104	—
OT30E3, OT60E3, OT100E3	4.13 / 105	—

Ⓞ Deeper enclosures will require a longer shaft. Please select a 5mm shaft from page 17.10.