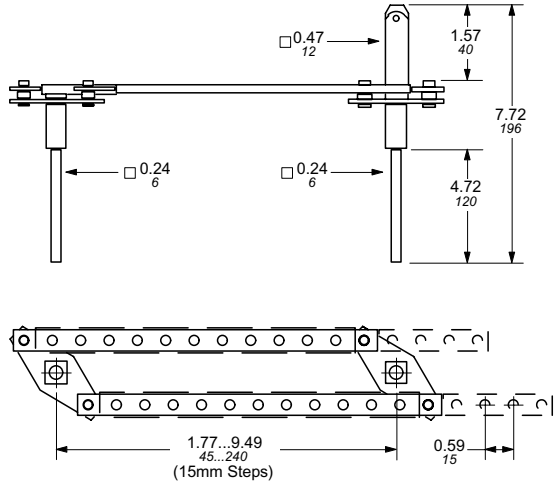


## Approximate dimensions for 125A conversion mechanisms

00.00 — Inches  
00.00 — [Millimeters]

### 6 or 8 pole — OESA-ZW2

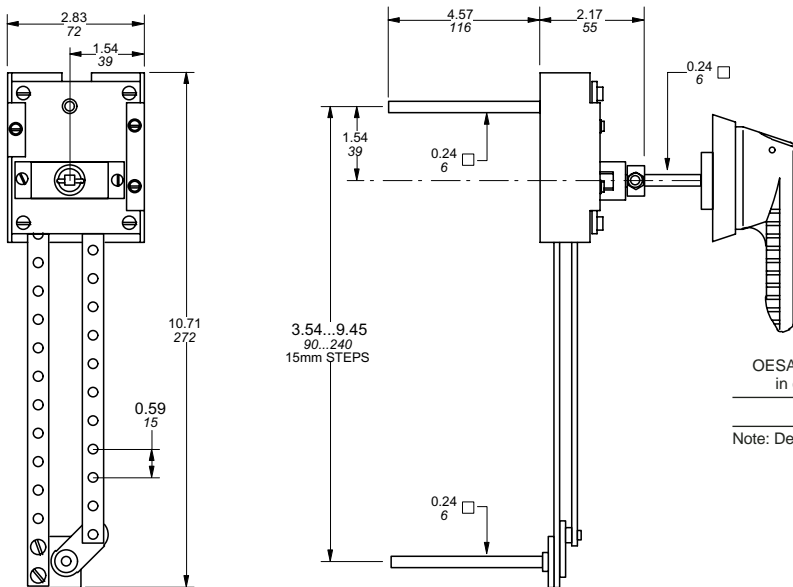


For installation of 6 or 8 pole, transfer and bypass mechanisms, the following minimum and maximum mounting dimensions are given below.

OESA-ZW2 in combination with:	Minimum inches/mm	Maximum inches/mm
OT160E3	5.35/136	9.49/241

Note: Deeper enclosures will require a longer shaft. Please select a 12mm shaft from page 17.27 and an OETL-ZX95 shaft extension coupler from page 17.29.

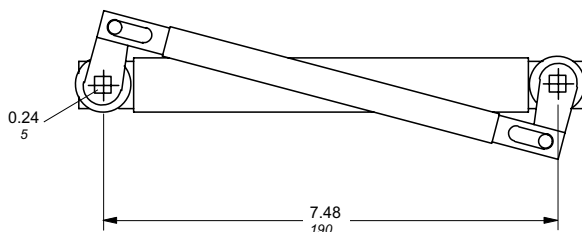
### Transfer switch — OESA-ZW1, OESA-ZW1X



OESA-ZW1, OESA-ZW1X in combination with:	Minimum inches/mm	Maximum inches/mm
OT160E3	4.61/117	6.57/167

Note: Deeper enclosures will require a longer shaft. Please select a 6mm shaft from page 17.20.

### Mechanical interlock — OTZW10



OTZW10 in combination with:	Minimum inches/mm	Maximum inches/mm
OT160E3	4.13 / 105	—

Note: Deeper enclosures will require a longer shaft. Please select a 6mm shaft from page 17.20.