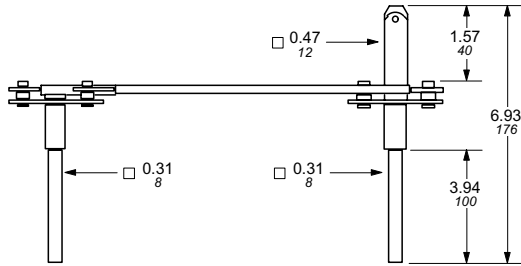


Approximate dimensions for 200A conversion mechanisms

00.00 Inches
00.00 [Millimeters]

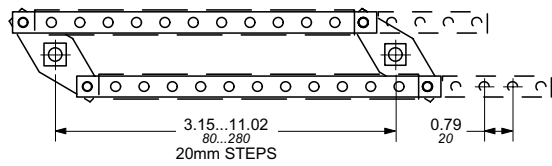
6 or 8 pole — OETL-ZW18



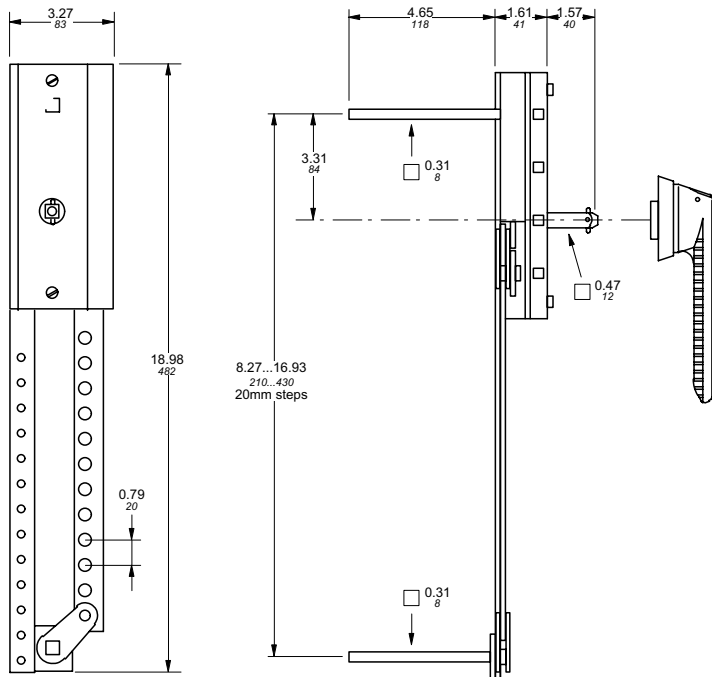
For installation of 6 or 8 pole, transfer and bypass mechanisms, the following minimum and maximum mounting dimensions are given below.

OETL-ZW18 in combination with:	Minimum inches/mm	Maximum ^① inches/mm
OETL-NF200A	6.97/177	10.31/262

NOTE: Includes OHB145J12 handle



Transfer switch — OETL-ZW20, OETL-ZW20X



OETL-ZW20, OETL-ZW20X in combination with:	Minimum inches/mm	Maximum ^① inches/mm
OETL-NF200A	7.09/180	10.83/275

NOTE: Includes OHB145J12E011 handle

① Deeper enclosures will require a longer shaft. Please select a 12mm shaft from page 17.27 and an OETL-ZX95 shaft extension coupler from page 17.29.