

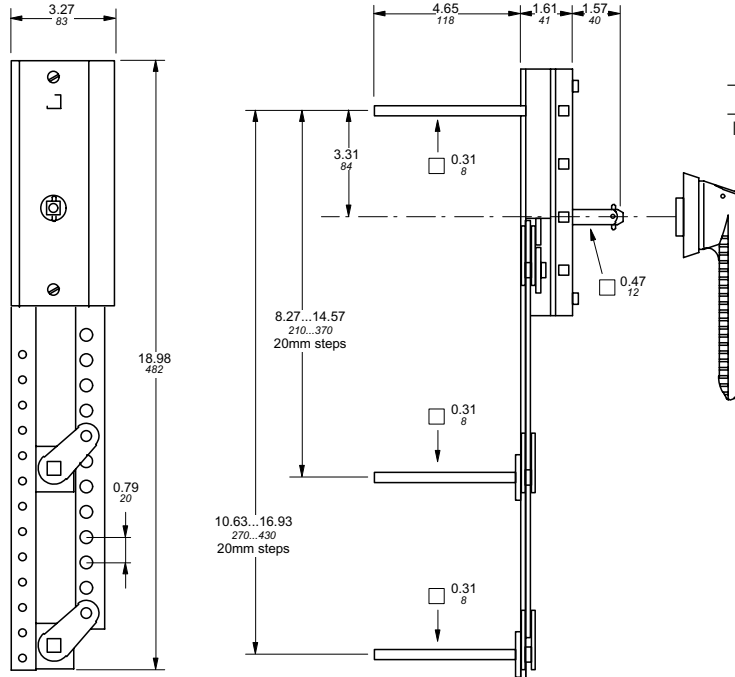
Approximate dimensions for 200A conversion mechanisms

Disconnect
switches
Non-fusible

00.00 Inches
00.00 [Millimeters]

Bypass switch — OETL-ZW21, OETL-ZW21X

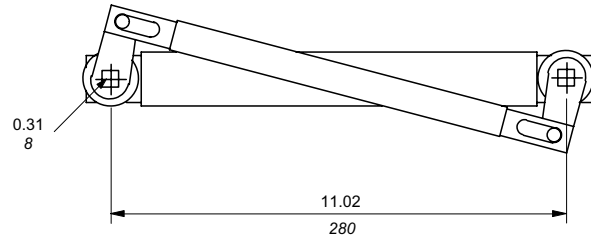
For installation of 6 or 8 pole, transfer and bypass mechanisms, the following minimum and maximum mounting dimensions are given below.



OETL-ZW21, OETL-ZW21X in combination with:	Minimum inches/mm	Maximum ^① inches/mm
OETL-NF200A	7.09/180	10.83/275

NOTE: Includes OHB145J12E011 handle

Mechanical interlock — OETL-ZW19



OETL-ZW19 in combination with:	Minimum inches/mm	Maximum ^① inches/mm
OETL-NF200A	5.71/145	—

① Deeper enclosures will require a longer shaft. Please select a 12mm shaft from page 17.27 and an OETL-ZX95 shaft extension coupler from page 17.29.