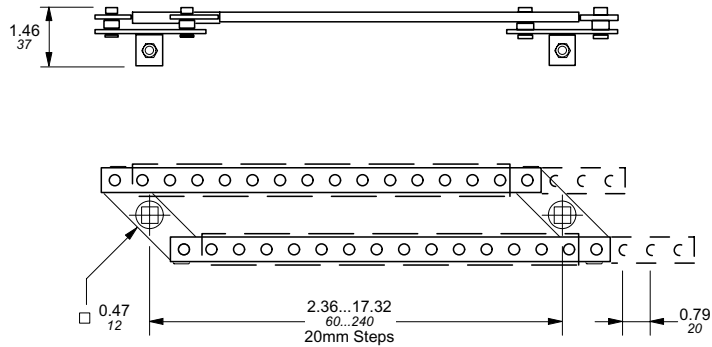


## Approximate dimensions for 400A – 1200A conversion mechanisms

← 00.00 → Inches  
00.00 [Millimeters]

### 6 or 8 pole — OETL-ZW9

For installation of 6 or 8 pole, transfer and bypass mechanisms, the following minimum and maximum mounting dimensions are given below.



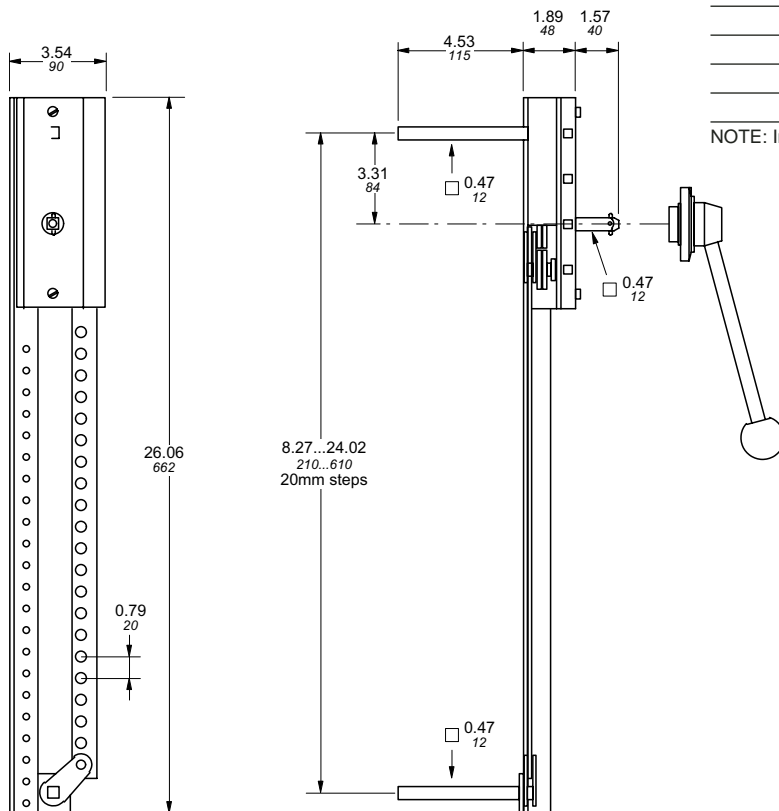
OETL-ZW9 in combination with:	Minimum inches/mm	Maximum inches/mm
OETL-NF400	7.52/191	N/A
OETL-NF600A	7.52/191	N/A
OETL-NF800A	7.52/191	N/A
OETL-NF1200	7.52/191	N/A

NOTE: Handle not included

### Transfer switch — OETL-ZW12

OETL-ZW12 in combination with:	Minimum inches/mm	Maximum <sup>①</sup> inches/mm
OETL-NF400	8.19/208	11.73/298
OETL-NF600A	8.19/208	11.73/298
OETL-NF800A	8.19/208	11.73/298
OETL-NF1200	8.19/208	11.73/298

NOTE: Includes YASDA-21 handle



① Deeper enclosures will require a longer shaft. Please select a 12mm shaft from page 17.27 and an OETL-ZX95 shaft extension coupler from pg. 17.29.