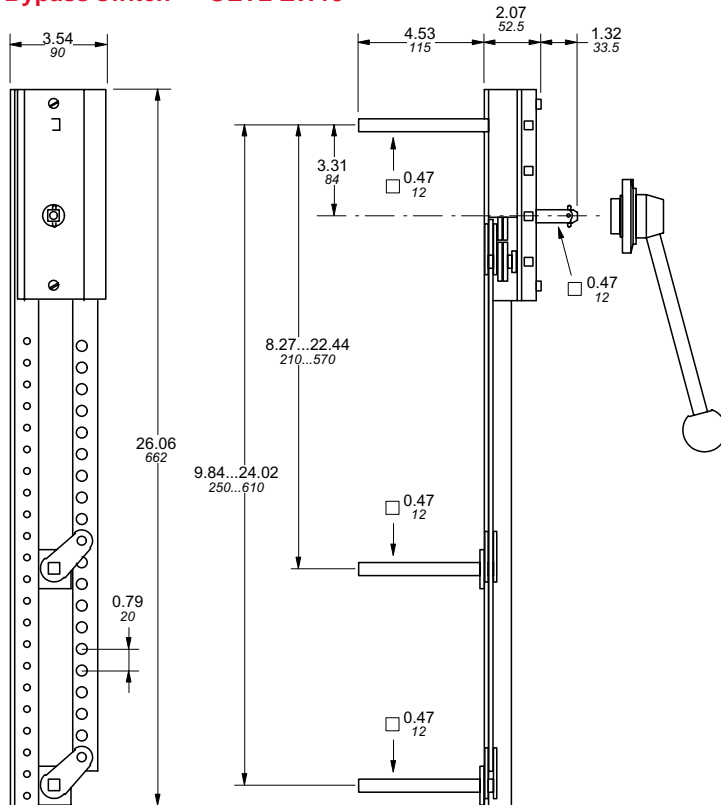


Approximate dimensions for 400A – 1200A conversion mechanisms

**Disconnect
switches
Non-fusible**

00.00 Inches
00.00 [Millimeters]

Bypass switch — OETL-ZW13

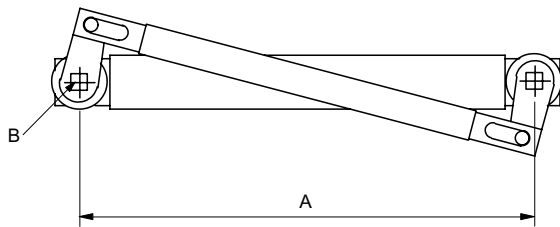


For installation of 6 or 8 pole, transfer and bypass mechanisms, the following minimum and maximum mounting dimensions are given below.

OETL-ZW12 in combination with:	Minimum inches/mm	Maximum ^① inches/mm
OETL-NF400	8.19/208	11.73/298
OETL-NF600A	8.19/208	11.73/298
OETL-NF800A	8.19/208	11.73/298
OETL-NF1200	8.19/208	11.73/298

NOTE: Includes YASDA-21 handle

Mechanical interlock — OETL-ZW3, OETL-ZW14, OETL-ZW15



Dimensions in Inches
& mm

	A	B
OETL-ZW3	11.81 300.0	0.47 12.0
OETL-ZW14	9.84 250.0	0.47 12.0
OETL-ZW15	19.69 500.0	0.47 12.0

OETL-ZW3, 14 & 15 in combination with:	Minimum inches/mm	Maximum ^① inches/mm
OETL-NF400 – OETL-NF600	6.50/165	—
OETL-NF800 – OETL-NF1200	6.30/160	—
OETL-NF1600 – OETL-NF3150	12.00/305	—

NOTE: Handle(s) not included.

NOTE: OETL-ZW15 is the only mechanical interlock OETL-NF1200 – OETL-NF3150 can use.

① Deeper enclosures will require a longer shaft. Please select a 12mm shaft from page 17.27 and an OETL-ZX95 shaft extension coupler from page 17.29.