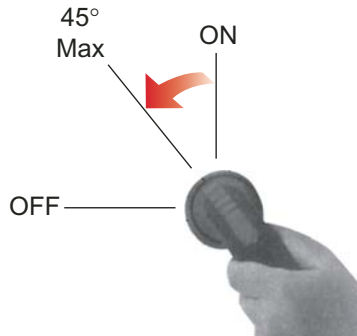


General information

Disconnect
switches
Fusible



Welded contact protection

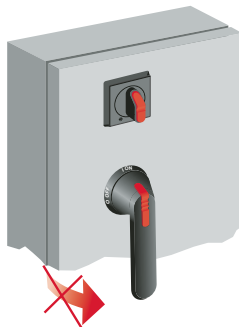
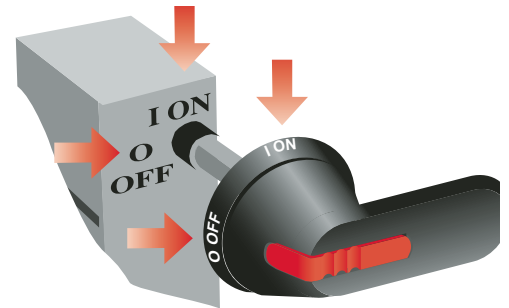
Positive opening operation safeguards users in case of welded contacts due to an overload or short circuit.

The switch can not reach the “OFF” position unless the contacts are truly open. If any or all of the contacts are welded shut, the switch mechanism will only allow the handle to operate a maximum of 45°. This safeguards personnel by:

- alerting them a problem has occurred
- maintaining the door interlock and
- not allowing a padlock to be inserted.

Clear position indication

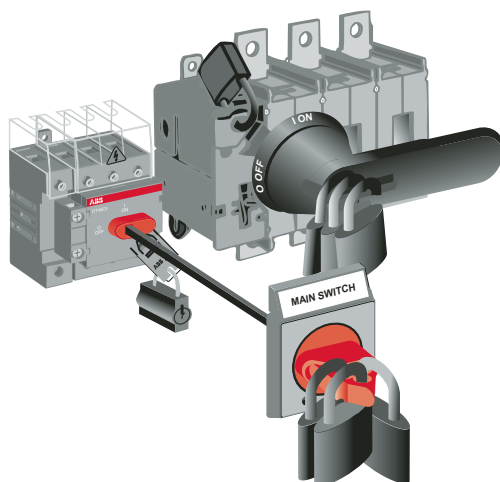
All switches and handles have clear “ON” and “OFF” designations. Whether the door is open or closed, it is possible to simply look at the switch and determine if the switch is “ON” or “OFF”.



Door interlock

Door interlock

The handle and shaft provide door interlock, the door can not be opened when the switch is in the “ON” position. NOTE: Some handles provide a method for qualified personnel to circumvent the door interlock. This is commonly referred to as a “defeater” mechanism.



Handle and mechanism padlocked OFF

Padlockable

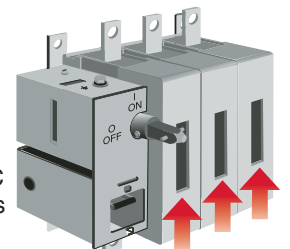
Handles can be padlocked in the “OFF” position with up to three padlocks; additionally, the switch mechanism can be directly padlocked in the “OFF” position when the door is open. NOTE: Some handles can be ordered with the ability to padlock in both the “ON” & “OFF” positions. Please consult your ABB sales office for ordering information.

Visible blades

Visible blades offer an additional safety feature from 200A – 800A.

Track resistant material

Excellent track resistant material, CTI > 600V, IEC 112, reduces the risk of flashover between phases in even the most severe circumstances.



Window for viewing blades