

Other configurations

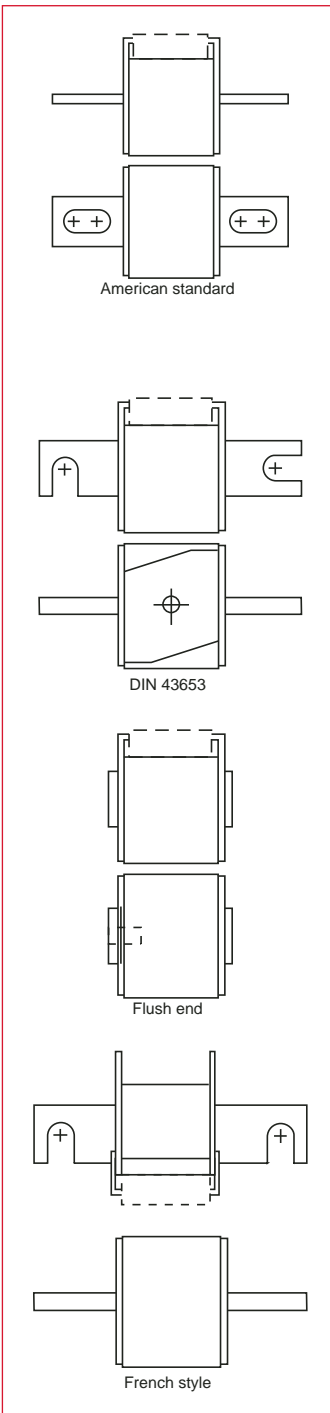
High speed fuse pattern

Special type fuses

Disconnect
switches
Fusible

For a complete assembly,
please select one of each:

- 1 switch body
- 1 adapter kit
- 1 shaft
- 1 handle



Selecting switch bodies and adapter kits

Please select switch body and adapter kit according to your fuses. Switch body alone can not be used — an adapter kit is always needed.

Switch bodies — 200A through 800A

UL general purpose amp rating	Maximum horsepower rating				Max. allowed fuse power dissipation at rated current	Weight (lbs)	Catalog number	List price
	Three phase							
	208V	240V	480V	600V				
3 pole								
200	50	60	125	150	22W	15.21	OES200R03	\$ 1220
400	125	125	250	350	45W	17.20	OES400R03	1740
600	150	200	400	500	60W	37.48	OES600R03	2640
800	200	250	500	600	65W	37.48	OES800R03	4590
4 pole								
200	50	60	125	150	22W	17.4	OES200R04	1510
400	125	125	250	350	45W	19.4	OES400R04	2140
600	150	200	400	500	60W	46.3	OES600R04	3270
800	200	250	500	600	65W	46.3	OES800R04	5710

Fuse adapter kits — for switches OES200 – OES400

Fuse standard	For 3 pole switch		For 4 pole switch	
	Catalog number	List price	Catalog number	List price
American standard	OESAZX1-S4 OESAZX1-S5	\$ 220	OESAZX1-S4/4 OESAZX1-S5/4	\$ 290
DIN80 (DIN43653) DIN80 sizes 00 and 000 (DIN 43653) DIN110 (DIN43653) DIN140 (DIN43653)	OESAZX1-S7 OESAZX1-S9 OESAZX1-S2 OESAZX1-S6		OESAZX1-S7/4 OESAZX1-S9/4 OESAZX1-S2/4 OESAZX1-S6/4	
Flush-end, 70mm body Flush-end, 50mm body	OESAZX1-S8 OESAZX1-S3		OESAZX1-S8/4 OESAZX1-S3/4	
French French with micro switches	OESAZX1-S10 OESAZX1-S11		OESAZX1-S10/4 OESAZX1-S11/4	

Fuse adapter kits — for switches OES600 – OES800

Fuse standard	For 3 pole switch		For 4 pole switch	
	Catalog number	List price	Catalog number	List price
American standard DIN80, DIN 110, DIN 140 (DIN43653) Flush-end, 50mm and 70mm body French French with micro switches	OESAZX2-S4 OESAZX2-S2 OESAZX2-S3 OESAZX2-S5 OESAZX2-S6	\$ 400	OESAZX2-S4/4 OESAZX2-S2/4 OESAZX2-S3/4 OESAZX2-S5/4 OESAZX2-S6/4	\$ 530

Handles and shafts — see pages 17.91 – 17.92.

Selecting the right fusible disconnect for HSF fuses may be difficult. Due to UL restrictions it is not possible to give a general fuse selection table for your use. Therefore we ask you to contact ABB Inc., Wichita Falls, in application issues. Information needed is nominal current of the application and catalog number of the fuse.