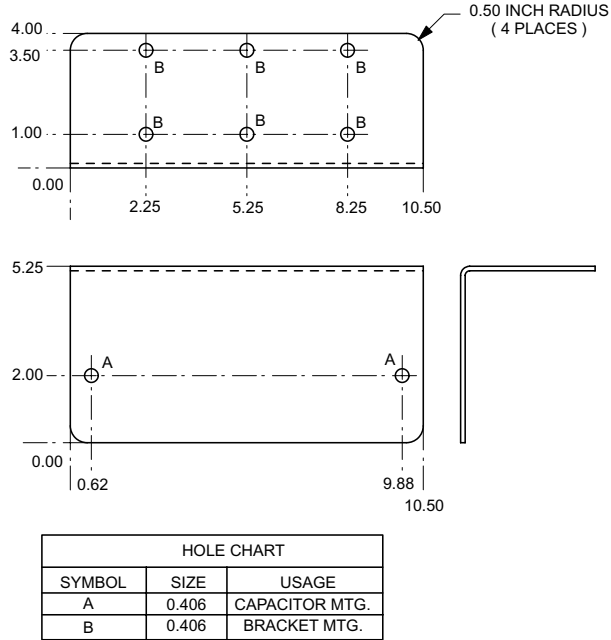


# Approximate dimensions Individual capacitors

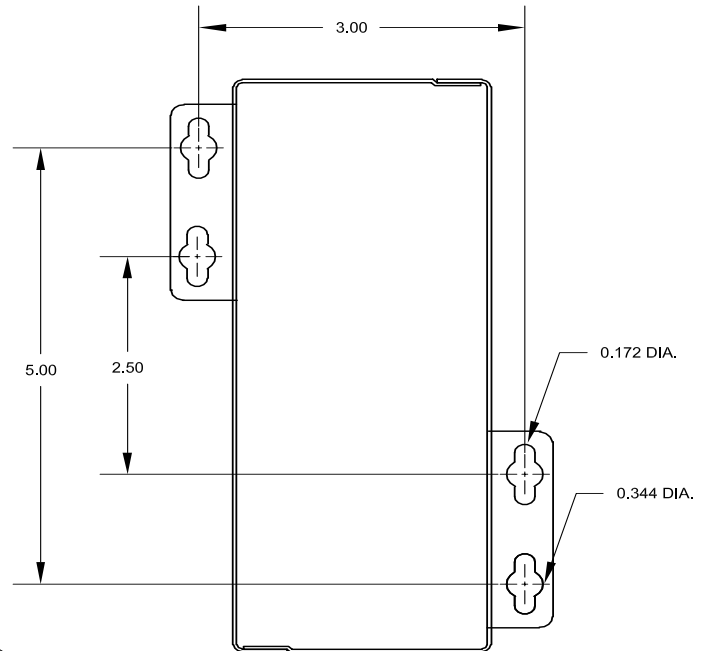
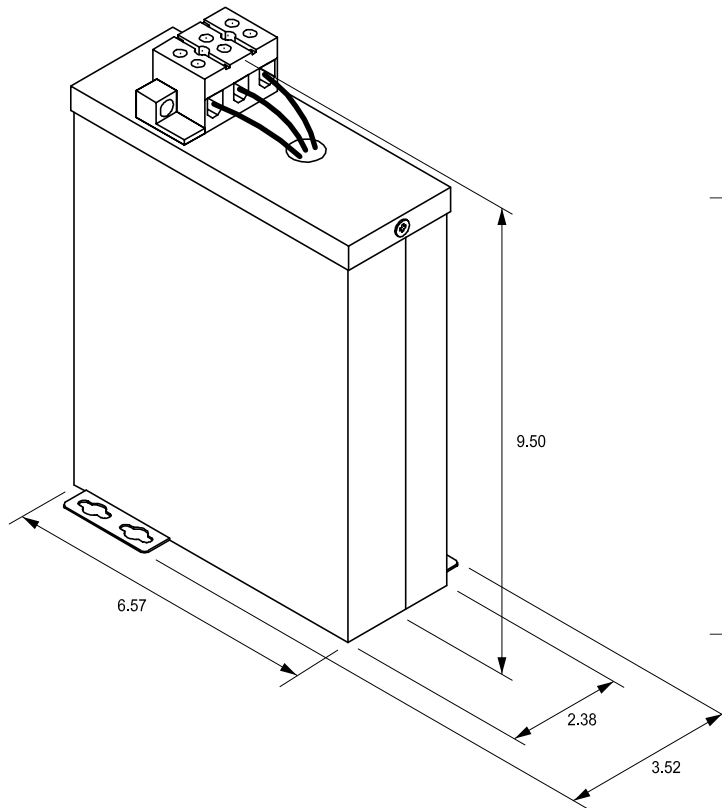
← 00.00 → Inches

## Pole mounting bracket for "PJ" (pump jack) capacitors



## CLMD-13

## CLMD-13 Drill plan



Availability to be announced.  
Please consult ABB